

planika
INTELLIGENT FIRE



We would like to introduce you to the amazing world of Planika's intelligent fires, where neither chimney nor hard connections are required. Planika joins the warmth of natural fire with the advanced technology creating wonderful, highly functional bio ethanol fireplaces. The uniqueness of the solutions applied allows Planika Fires to obtain the effect of dancing flames in their natural intense colours. With the appropriate amount of time spent on designing and carefully selecting materials, manufactured in Europe, Planika Fires has already succeeded in more than 60 countries all over the world.

Today, Planika with subsidiaries in USA, sells its products worldwide and has more and more appreciation among clients of private and public sector, as well as architects. The design process of our bio fireplaces takes place in the Planika Studio where excellent conditions for young designers are provided. By using the most advanced equipment, we can guarantee the reliability and durability of Planika's products, since each product is carefully tested before being sold.

Our success lies in designing a new form that corresponds with constantly changing technology. Design together with the technical knowledge and experience are the basis for every model. By always paying close attention to every detail while shaping the form and carefully selecting the highest quality materials for ethanol fireplaces, Planika has come up with products that are in accordance with our sustainable agenda. In order to provide finest products, our specialists constantly modernise the implemented technologies. Therefore, we are the only company in the world using such advanced, patented technology.

By stimulating cooperation between technology and business, the company has gained the position of the world leader in the production and distribution of bio fireplaces, suitable for both commercial and private areas. Planika provides people with the primeval element of fire dressed in the highest quality design.



about

US





arrangements
of products







Serenity yacht by Mondomarine
Model: Fire Line Automatic
Photo courtesy: Aberto Cocchi



Serenity yacht by Mondomarine
Model: Fire Line Automatic
Photo courtesy: Aberto Cocchi



Poziom 511 Design Hotel & Spa - Podzamcze, Poland
Model: Fire Line Automatic



Piekna Bistro Restaurant - Warsaw, Poland
Design: ON/OFF Architekci
Model: Fire Line Automatic



Daniels Openhaarden, Netherland
Model: Fire Line Automatic

Fire Line Automatic fits perfectly in our house between the lounge and the dining room. Everybody wants to see it burning even in the middle of summer.

Tom Cornwell,
Owner of the Villa Escarpa, Portugal
The Oakridge Partnership Ltd



Private Residence, Villa Escarpa - Portugal
Design: The Oakridge Partnership Ltd
Model: Fire Line Automatic



Izel Restaurant, Conrad Hotel - Dubai, UAE
Design: WS Atkins & Partners
Supervision: Patricia Holler
Model: Fire Line Automatic - 8000 mm







Private residence, Portugal
Design: Induplano
Model: Fire Line Automatic



It is in fact a very original fire solution since it is hard to find an apartment where natural flame fireplace is used. It was impossible according to safety requirements. That is why modern bio fireplaces are a very good alternative.

The Address Downtown, Dubai, UAE
Model: Galio Insert



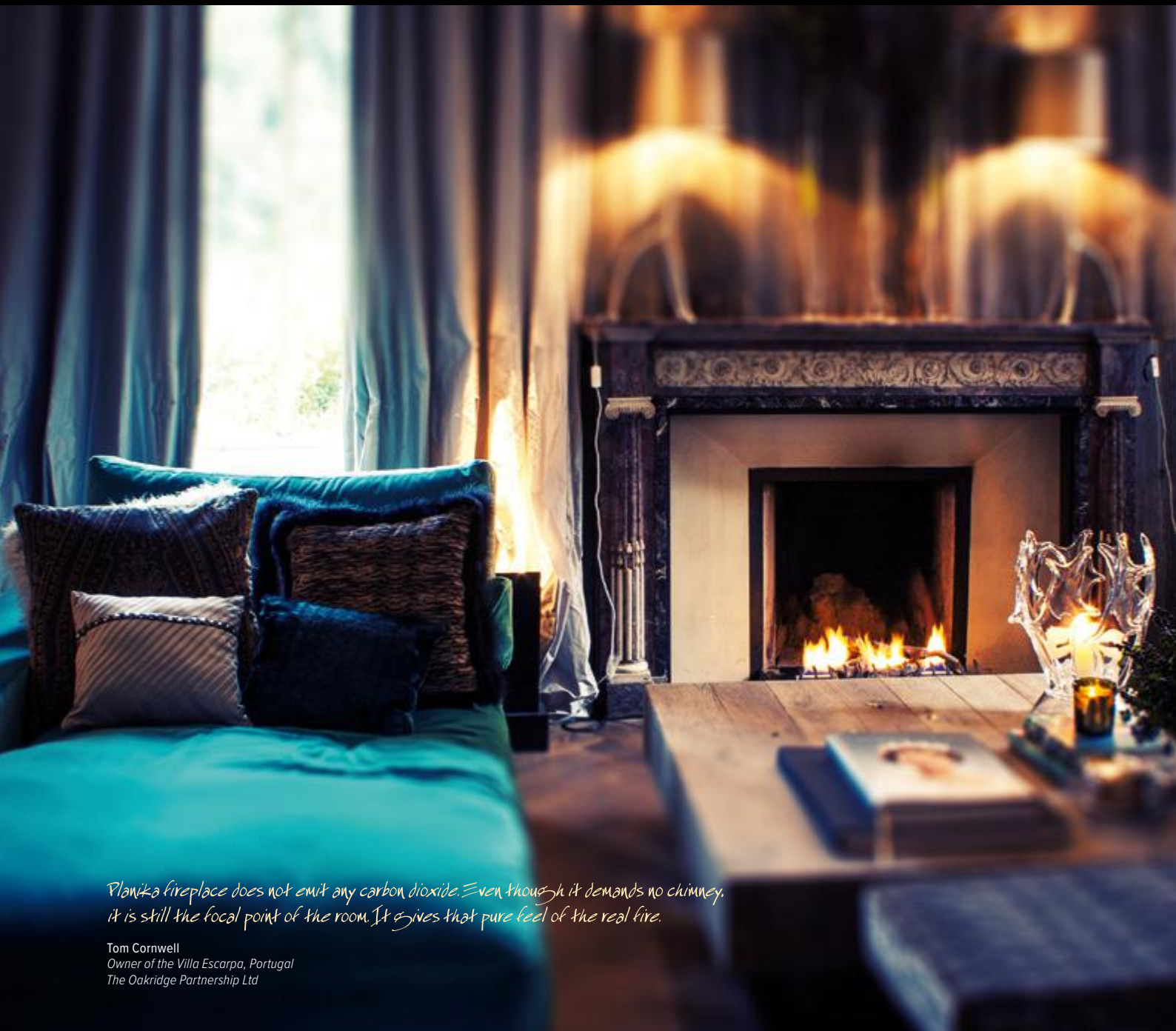
Radisson Blu Old Mill Hotel, Belgrade
Model: Fire Line Automatic





Golden One Center - Klings Arena, Sacramento, CA
Model: Fire Line Automatic

Showroom Landhuis Gooilust - Amsterdam, Netherlands
Model: HotBox



Planika fireplace does not emit any carbon dioxide. Even though it demands no chimney, it is still the focal point of the room. It gives that pure feel of the real fire.

Tom Cornwell
Owner of the Villa Escarpa, Portugal
The Oakridge Partnership Ltd





Softly residence, Bydgoszcz, Poland
Model: Lincoln

*Planika's fireplace was something new for my investor
and he was willing to take advantage of such opportunity.*

Aleksandra Bobrowicz-Nadolny
Interior Designer, Dot.projekt



Salone Internazionale del Mobile - Milan, Italy
Model: PrimeFire
Photo courtesy: Jan Lutyk



Private Villa - Emirates Hills, Dubai
Design: Bishop Design LLC
Model: Totem Commerce



Hotel Copernicus, Toruń, Poland
Model: Galio Corten



*Portable bio fireplaces are easy to move
in the case of rearrangement. Their simplicity
is very useful in the modern houses.
In my opinion, they have a great future.*

Hans Murman
Architect, Murman Arkitekter

Odessa Restaurant - Kiev, Ukraine
Design: YOD Design Lab
Model: Fire Line Automatic 2 model E



Private Residence - Bialystok, Poland
Design: Cubic Projekt, Tomasz Tubisz
Model: 2 x Fire Line Automatic - 3000 mm



Private residence, Girona, Spain
Model: Gustav Commerce





Private residence - USA
Model: Faro Commerce



Hotel Copernicus, Toruń, Poland
Model: Tondo Commerce

Shuvalovsky Project - Moscow, Russia
Design: Geometrix design
Model: Fire Line Automatic



Private residence
Design: Ivanka Kowalski
Model: Fire Line Automatic





Hotel Copernicus, Toruń, Poland
Model: Simple Commerce





Private residence - Spain
Model: Galio Fire Pit Insert

Private residence, Germany
Model: Galio Corten



Private residence - France
Model: Galio Fire Pit Corten





Van der Valk Hotel, Veenendaal, Netherlands
Model: Fire Line Automatic





WORLDWIDE EXPERIENCE

- Over 15 years on the market
- Global recognition
- Numerous projects on every continent
- Top private and commercial designs (Marriott, Hilton, Kempinski and many more)



PATENTED BEV TECHNOLOGY

- No direct contact between the fuel and the flame
- No smell, no smoke, no ash
- Cleanest combustion process
- Natural, golden flames
- Longest burning time



WHY to choose us?



CUSTOM PRODUCTS - FIRE LINE AUTOMATIC

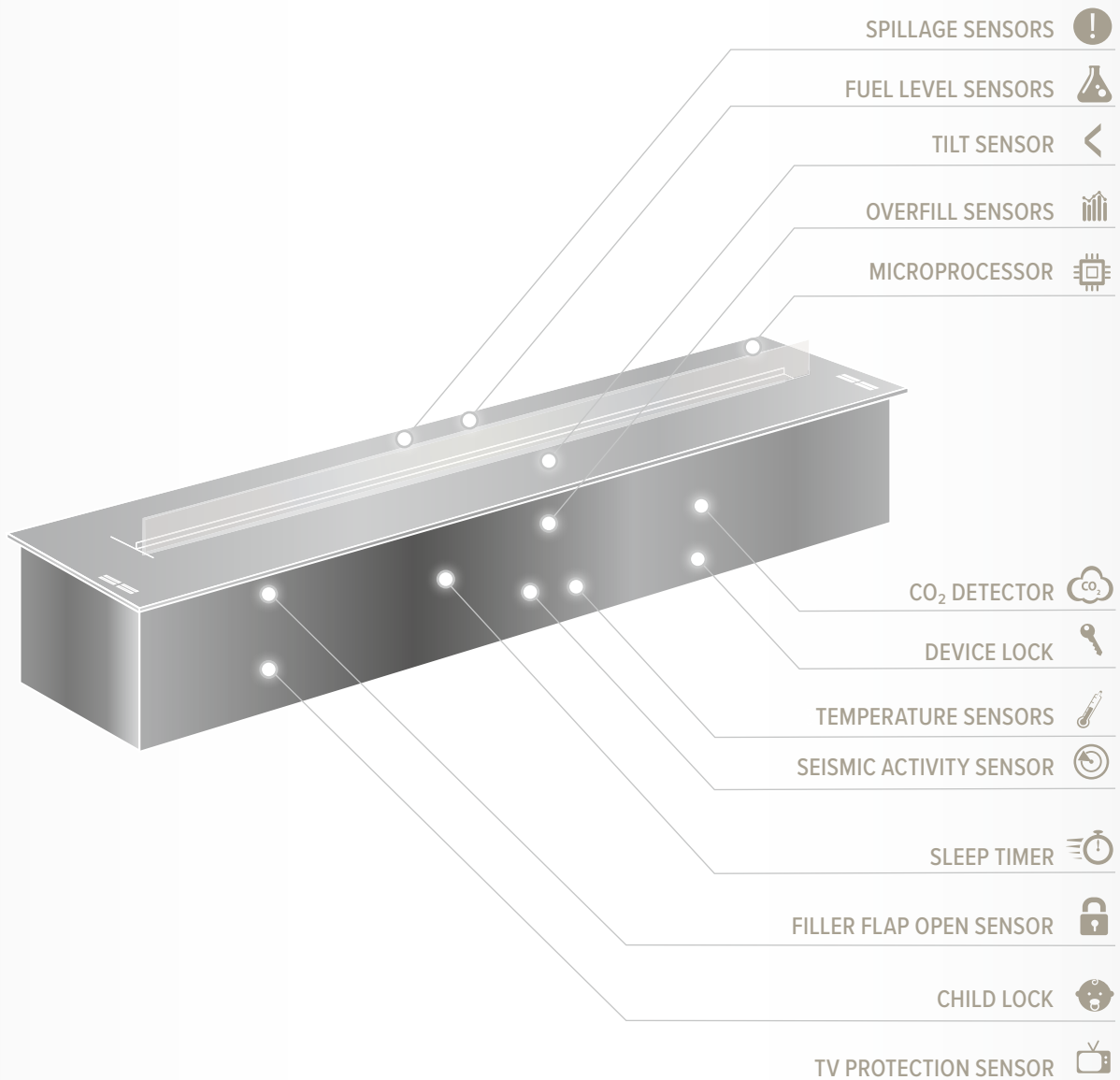
- Bespoke models to create an endless line of fire
- Customizable length and color
- No hard connections for unlimited arrangement possibilities
- Easy installation to implement the fireplace at every stage of the project
- Professional support of the Project Department



INTELLIGENT FEATURES & ADVANCED SAFETY

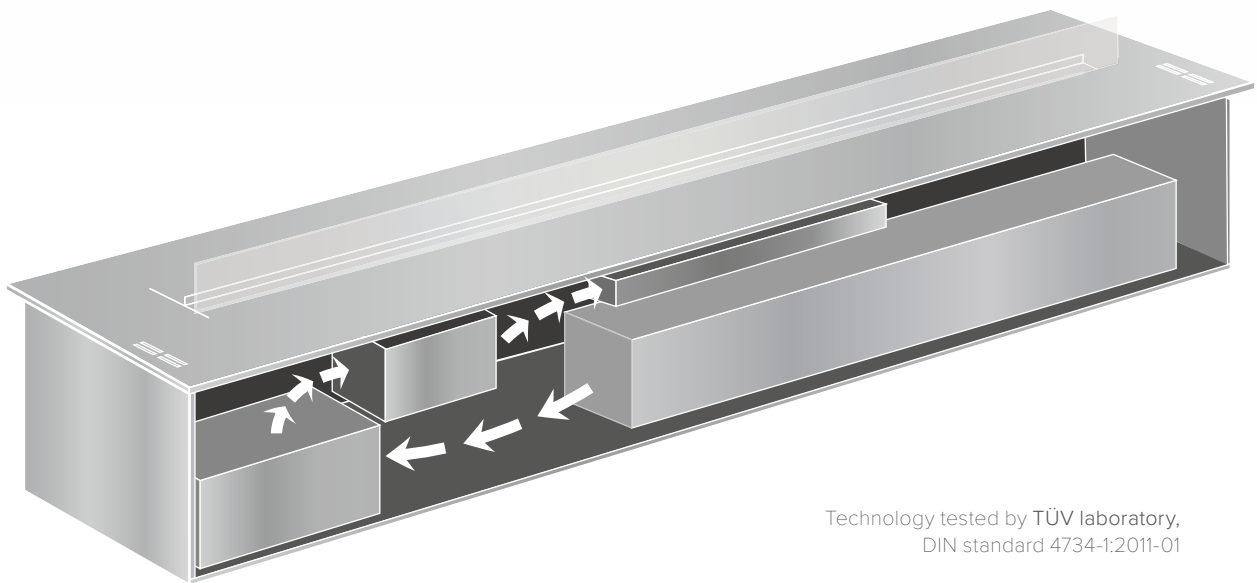
- TÜV, UL and ULC certified
- Multiple safety features: temperature sensor, tilt sensor, child lock, CO₂ detector, overflow sensor
- Mobile device control via Wi-Fi net
- Smart Home System compatible
- Remote control
- Intuitive control panel
- Complex projects – we installed the first bioethanol fireplace on a yacht
- Advanced safety confirmed by numerous commercial and public projects
- Advanced microprocessor controlling the operation of the fireplace

safety sensors



Planika's intelligent fireplaces are fully automatic products that ensure the maximum level of comfort and safety. The advanced microprocessor communicates with multiple safety sensors and detectors, guaranteeing proper fireplaces operation at all times. This advanced technological solution allows the user to enjoy the fully controlled, natural flames.

intelligent fire



Technology tested by TÜV laboratory,
DIN standard 4734-1:2011-01

Patented Technology: EP2 549 182

In Planika's laboratory, a specialized team of engineers search for new technological solutions and carries out extensive tests on every fireplace prior to selling it. Our products have also successfully passed safety and quality tests carried out by the leading certification institutes, meeting the most demanding requirements, including the DIN norm 4734-1:2011-01 certified by TÜV laboratory.

In order to ensure the highest level of comfort and safety, both the fireplace operation and the burning process are fully controlled by an advanced microprocessor and other electrical components. The products are also equipped with numerous safety sensors and detectors that constantly monitor and control the device, reacting to any irregularities in its operation.

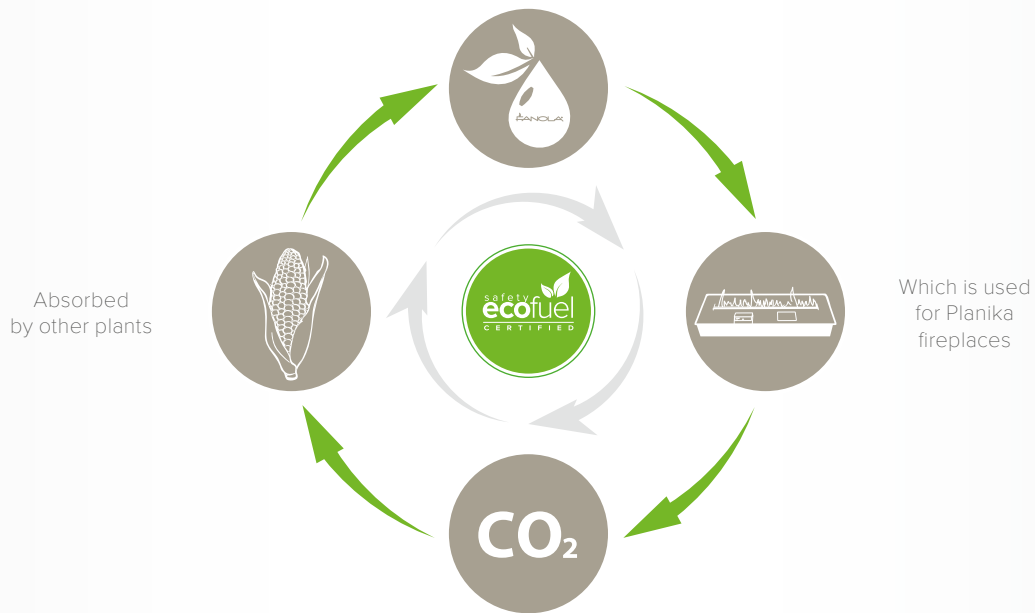
Planika's products allow for convenient control options, including a handheld remote, mobile devices via WiFi network and Smart Home Systems. All our automatic fireplaces utilize the patented BEV Technology, a solution that eliminates the direct contact between the flame and the fuel, resulting in a very clean and beautiful flame. The technology also allow for unlimited arrangement possibilities and extensive customization options of your fireplace.

ecology

biofuel for fireplace

renewable energy source

Sugars obtained from plants are fermented, distilled and denatured, becoming Fanola® bio ethanol



Burning process emits CO₂ and H₂O in amounts comparable to that of human breath

automaticinserts

intelligent fire



automatic inserts Fire Line Automatic 3

FLA3 standard 1190 mm

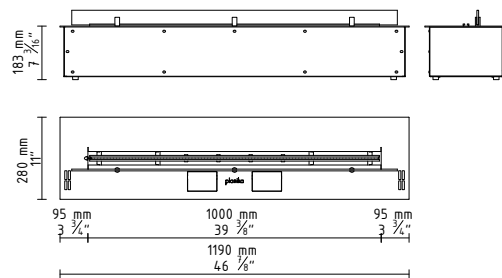
Control your fire with mobile devices
Create an endless line of fire

FEATURES:

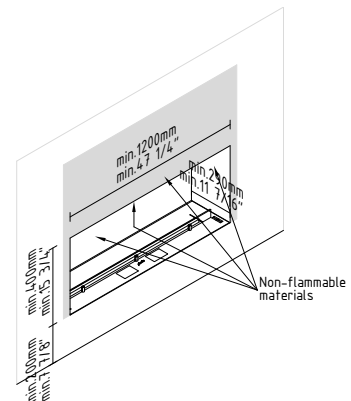
- BEV* Technology
- No smell / no ash / no smoke
- WiFi (controlled with mobile devices)
- Remote controllable
- Smart Home Systems compatible
- Advanced safety sensors
- Fast Start
- Automatic shutdown in case of errors
- Child Lock
- Sleep timer
- Advanced microprocessor
- LCD display
- Control panel
- Intuitive control
- 6 levels of flame height
- Easy installation
- Bespoke sizes
- Possibility of joining modules
- Custom finish option
- No additional installation
- No additional ventilation required
- No chimney required
- External wireless temperature sensor
- Electrical connection required
- For indoor use
- Eco-friendly
- Automatic fuel pump
- Certified



DIMENSIONS:



INSTALLATION:



* BEV Technology – A patented process resulting in the clean burning of bio-ethanol fuel vapours.

TECHNICAL DATA:

Capacity: 8,0 L / [US] 2,1 gal / [UK] 1,76 gal

Burning time: 6 - 12 h

Heat output: 3,3 - 8,4 kW / 11398 - 28490 BTU

Net weight: 31,5 kg / 69,5 lbs

Air circulation: min. 1/h

Minimum room size:

please contact our Project Department for details

Power supply: 230 V / 115 V

Finish:

TOP: brushed stainless steel / optional: RAL colours / optional: black powder coated steel,

CASING: galvanized steel,

GLASS SHIELD: tempered glass

automatic inserts Fire Line Automatic 3

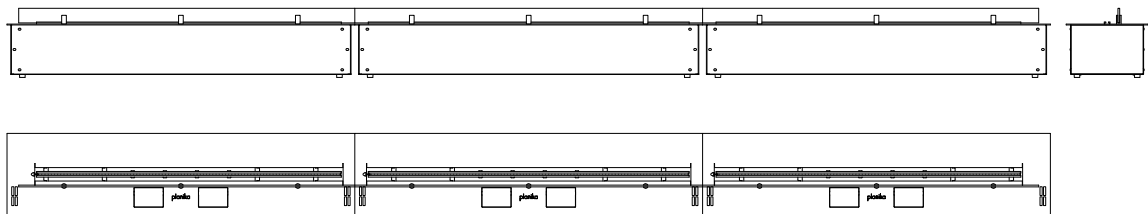
FLA3

BESPOKE MODELS:

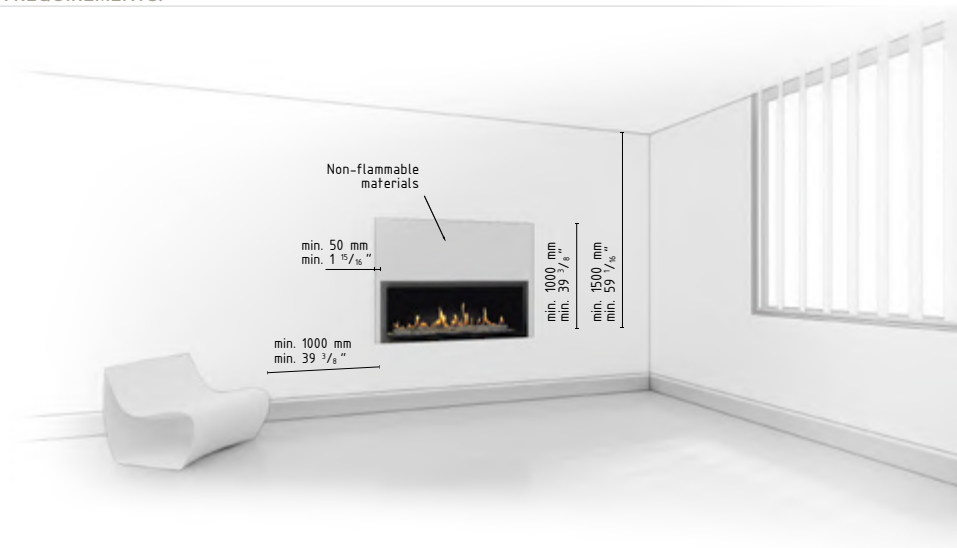
Planika ensures top service. To live up to our clients' requirements, we have provided the possibility to produce bespoke models, according to the client's expectations. Length of the bio fireplace is customizable.

SEVERAL JOINT UNITS - UP TO UNLIMITED LENGTH:

If a longer line of fire is preferred, several units can be placed together and operated with a single remote control, giving the possibility to create an endless line of fire. Client can choose between the right, middle and left module.



INDOOR INSTALLATION REQUIREMENTS:



automatic inserts Fire Line Automatic 3

FLA3 standard 1490 mm

Control your fire with mobile devices
Create an endless line of fire

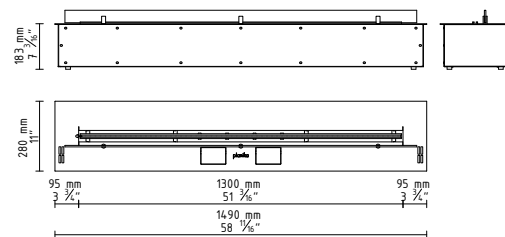


FEATURES:

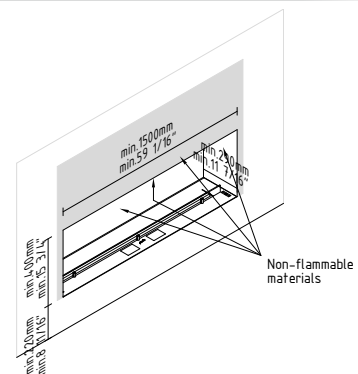
- BEV* Technology
- No smell / no ash / no smoke
- WiFi (controlled with mobile devices)
- Remote controllable
- Smart Home Systems compatible
- Advanced safety sensors
- Fast Start
- Automatic shutdown in case of errors
- Child Lock
- Sleep timer
- Advanced microprocessor
- LCD display
- Control panel
- Intuitive control
- 6 levels of flame height
- Easy installation
- Bespoke sizes
- Possibility of joining modules
- Custom finish option
- No additional installation
- No additional ventilation required
- No chimney required
- External wireless temperature sensor
- Electrical connection required
- For indoor use
- Eco-friendly
- Automatic fuel pump
- Certified



DIMENSIONS:



INSTALLATION:



* BEV Technology – A patented process resulting in the clean burning of bio-ethanol fuel vapours.

TECHNICAL DATA:

Capacity: 10 L / [US] 2,64 gal / [UK] 2,2 gal
 Burning time: 6 - 12 h
 Heat output: 4,2 - 11,8 kW / 14330 - 40263 BTU
 Net weight: 39,5 kg / 87 lbs
 Air circulation: min. 1/h
 Minimum room size:
 please contact our Project Department for details
 Power supply: 230 V / 115 V
 Finish:
 TOP: brushed stainless steel / optional: RAL colours / optional: black powder coated steel,
 CASING: galvanized steel,
 GLASS SHIELD: tempered glass

automatic inserts Fire Line Automatic 3

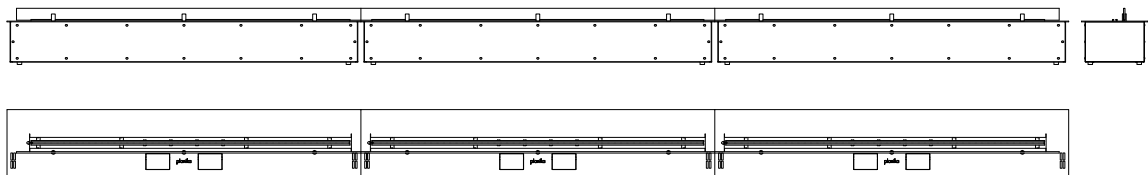
FLA3

BESPOKE MODELS:

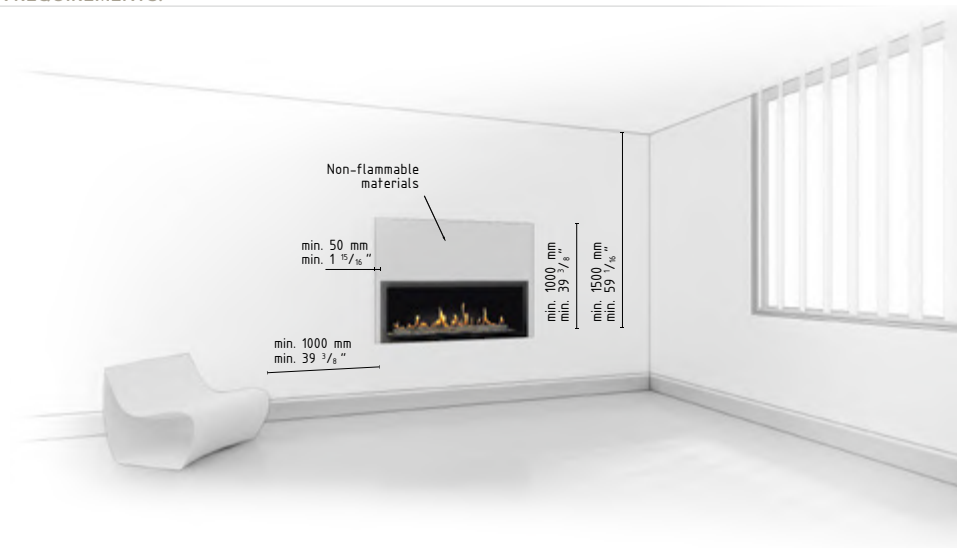
Planika ensures top service. To live up to our clients' requirements, we have provided the possibility to produce bespoke models, according to the client's expectations. Length of the bio fireplace is customizable.

SEVERAL JOINT UNITS - UP TO UNLIMITED LENGTH:

If a longer line of fire is preferred, several units can be placed together and operated with a single remote control, giving the possibility to create an endless line of fire. Client can choose between the right, middle and left module.



INDOOR INSTALLATION REQUIREMENTS:



automatic inserts

Fire Line Automatic 3

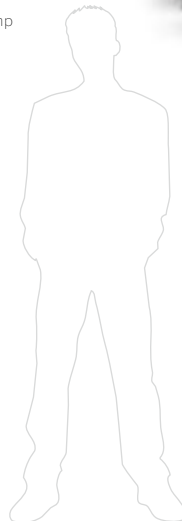
FLA3 in casing A

Perfect solution for architects
WiFi-controlled fireplace

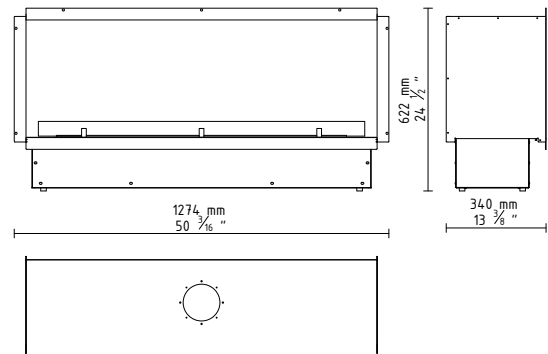


FEATURES:

- BEV* Technology
- No smell / no ash / no smoke
- WiFi (controlled with mobile devices)
- Remote controllable
- Smart Home Systems compatible
- Advanced safety sensors
- Fast Start
- Automatic shutdown in case of errors
- Child Lock
- Sleep timer
- Advanced microprocessor
- LCD display
- Control panel
- Intuitive control
- 6 levels of flame height
- Easy installation
- Bespoke sizes
- Custom finish option
- No additional installation
- No additional ventilation required
- No chimney required
- External wireless temperature sensor
- Electrical connection required
- For indoor use
- Eco-friendly
- Automatic fuel pump
- Certified



DIMENSIONS:



* BEV Technology – A patented process resulting in the clean burning of bio-ethanol fuel vapours.

TECHNICAL DATA:

Capacity: 8,0 L / [US] 2,1 gal / [UK] 1,76 gal

Burning time: 6 - 12 h

Heat output: 3,3 - 8,4 kW / 11396 - 28490 BTU

Net weight: 56 kg / 121,6 lbs

Air circulation: min. 1/h

Minimum room size:

please contact our Project Department for details

Power supply: 230 V / 115 V

Finish:

TOP: brushed stainless steel / optional: RAL colours / optional: black powder coated steel,

CASING: black powder coated steel, galvanized steel,

OPTIONAL FRAME: brushed stainless steel,

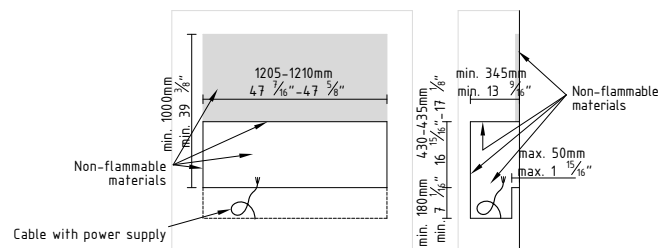
GLASS SHIELD: tempered glass

automatic inserts

Fire Line Automatic 3

FLA3 IN CASING A

INSTALLATION:



INDOOR INSTALLATION REQUIREMENTS:



automatic inserts

Fire Line Automatic 3

FLA3 in casing C

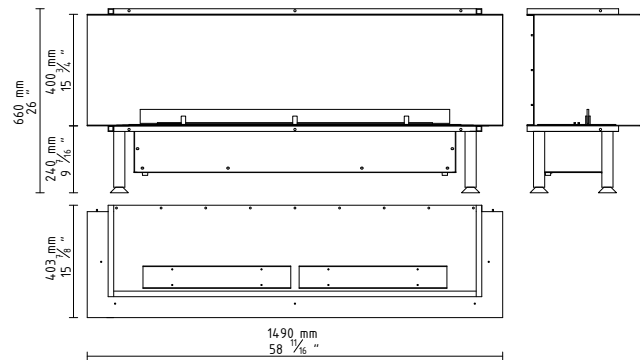
*Intelligent fireplace with a long line of fire
Flame visible from three sides*

FEATURES:

- BEV* Technology
- Optional BOX XT (left and / or right module)
- No smell / no ash / no smoke
- WiFi (controlled with mobile devices)
- Remote controllable
- Smart Home Systems compatible
- Advanced safety sensors
- Fast Start
- Automatic shutdown in case of errors
- Child Lock
- Sleep timer
- Advanced microprocessor
- LCD display
- Control panel
- Intuitive control
- 6 levels of flame height
- Easy installation
- Bespoke sizes
- Possibility of joining modules
- Custom finish option
- No additional installation
- No additional ventilation required
- No chimney required
- External wireless temperature sensor
- Electrical connection required
- For indoor use
- Eco-friendly
- Automatic fuel pump
- Certified



DIMENSIONS:



* BEV Technology – A patented process resulting in the clean burning of bio-ethanol fuel vapours.

TECHNICAL DATA:

Capacity: 8,0 L / [US] 2,11 gal / [UK] 1,76 gal

Burning time: 6 - 12 h

Heat output: 3,3 - 8,4 kW / 11398 - 28490 BTU

Net weight: 75 kg / 163 lbs

Air circulation: min. 1/h

Minimum room size:
please contact our Project Department for details

Power supply: 230 V / 115 V

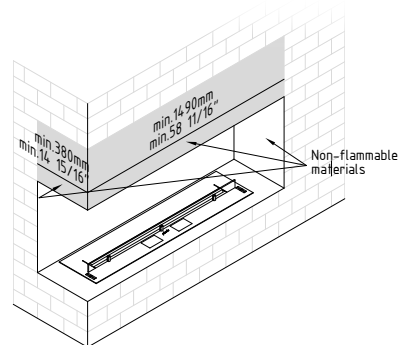
Finish:

TOP: brushed stainless steel / optional: RAL colours / optional: black powder coated steel,

CASING: galvanized steel, black powder coated steel,

GLASS SHIELD: tempered glass

INSTALLATION:



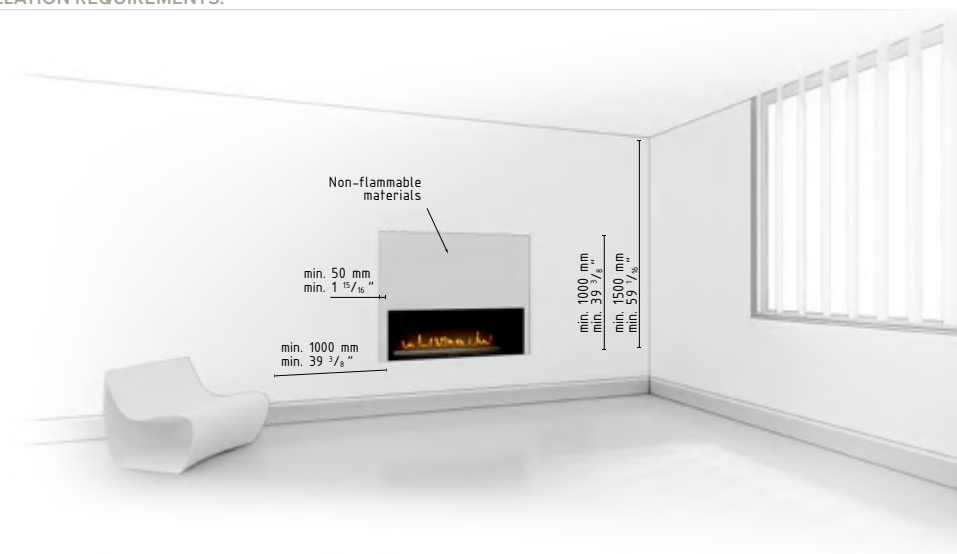
automatic inserts Fire Line Automatic 3

FLA3 IN CASING C

BESPOKE MODELS:

Planika ensures top service. To live up to our clients' requirements, we have provided the possibility to produce bespoke models, according to the client's expectations. Length of the bio fireplace is customizable.

INDOOR INSTALLATION REQUIREMENTS:



Fire Line Automatic 3 XL

automatic inserts

FLA3 XL

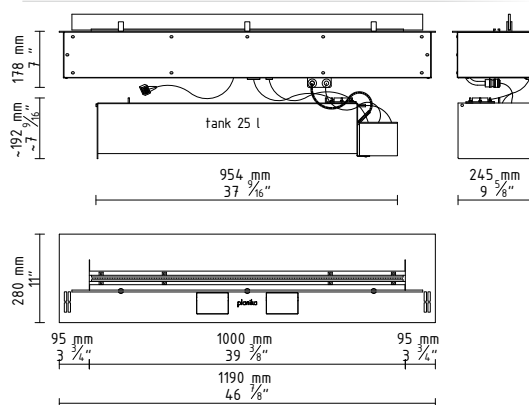
*FLA with an eXtra Long burning time
For those who value their comfort*

FEATURES:

- BEV* Technology
- Automatic fuel pump
- Extra large fuel tank to extend burning time
- No smell/no ash/no smoke
- WiFi controllable
- Remote controllable
- Smart Home Systems compatible
- Advanced safety sensors
- Fast Start
- Automatic shutdown in case of errors
- Child Lock
- Sleep timer
- Advanced microprocessor
- LCD display
- Control panel
- Intuitive control
- 6 levels of flame height
- Easy installation
- Possibility of joining modules
- No additional installation
- No additional ventilation required
- No chimney required
- External wireless temperature sensor
- Electrical connection required
- For indoor use
- Eco-friendly
- Certified



DIMENSIONS:



* BEV Technology – A patented process resulting in the clean burning of bio-ethanol fuel vapours.

TECHNICAL DATA:

Capacity: 25 L / [US] 6,6 gal / [UK] 5,5 gal

Burning time: 17 - 42 h

Heat output: 3,3 - 8,4 kW / 11398 - 28490 BTU

Net weight: 36,5kg / 80 lbs

Air circulation: min. 1/h

Minimum room size:

please contact our Project Department for details

Power supply: 230 V / 115 V

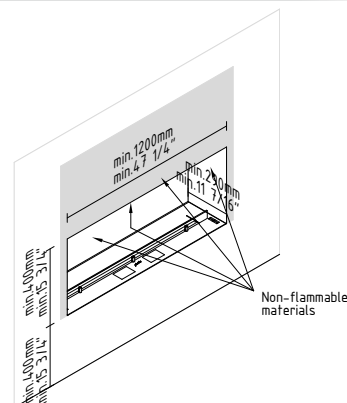
Finish:

TOP: brushed stainless steel / optional: RAL colours / optional: black powder coated steel,

CASING: galvanized steel,

GLASS SHIELD: tempered glass

INSTALLATION:



Fire Line Automatic 3 XL automatic inserts

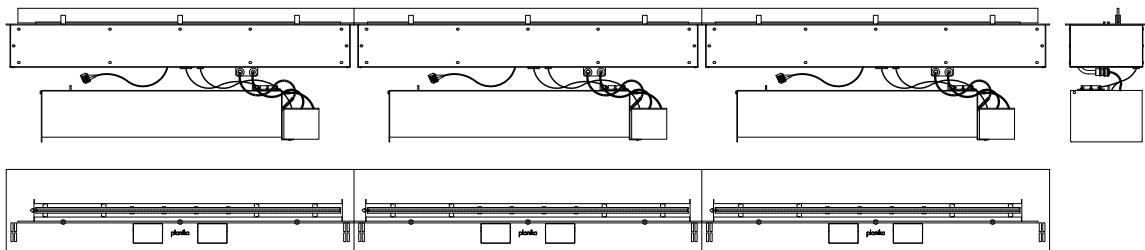
FLA3 XL

BESPOKE MODELS:

Planika ensures top service. To live up to our clients' requirements, we have provided the possibility to produce bespoke models, according to the client's expectations. Length of the bio fireplace is customizable.

SEVERAL JOINT UNITS - UP TO UNLIMITED LENGTH:

If a longer line of fire is preferred, several units can be placed together and operated with a single remote control, giving the possibility to create an endless line of fire. Client can choose between the right, middle and left module.



INDOOR INSTALLATION REQUIREMENTS:



automatic inserts

FLA3 XL in casing A

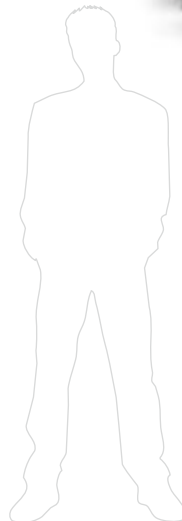
FLA3 XL in casing A

*Longer burning, the same high class design
Larger fuel tank serving your comfort*

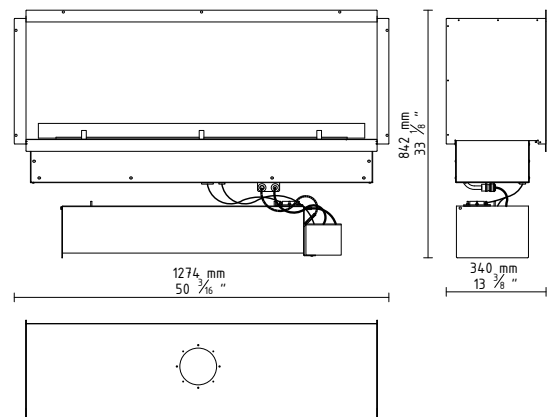


FEATURES:

- BEV* Technology
- Automatic fuel pump
- Extra large fuel tank to extend burning time
- No smell/no ash/no smoke
- WiFi controllable
- Remote controllable
- Smart Home Systems compatible
- Advanced safety sensors
- Fast Start
- Automatic shutdown in case of errors
- Child Lock
- Sleep timer
- Advanced microprocessor
- LCD display
- Control panel
- Intuitive control
- 6 levels of flame height
- Easy installation
- Possibility of joining modules
- No additional installation
- No additional ventilation required
- No chimney required
- External wireless temperature sensor
- Electrical connection required
- For indoor use
- Eco-friendly
- Certified



DIMENSIONS:



* BEV Technology – A patented process resulting in the clean burning of bio-ethanol fuel vapours.

TECHNICAL DATA:

Capacity: 25 L / [US] 6,6 gal / [UK] 5,5 gal

Burning time: 17 - 42 h

Heat output: 3,3 - 8,4 kW / 11398 - 28490 BTU

Net weight: 61,5 kg / 135,6 lbs

Air circulation: min. 1/h

Minimum room size:

please contact our Project Department for details

Power supply: 230 V / 115 V

Finish:

TOP: brushed stainless steel / optional: RAL colours / optional: black powder coated steel,

CASING: black powder coated steel, galvanized steel,

OPTIONAL FRAME: brushed stainless steel,

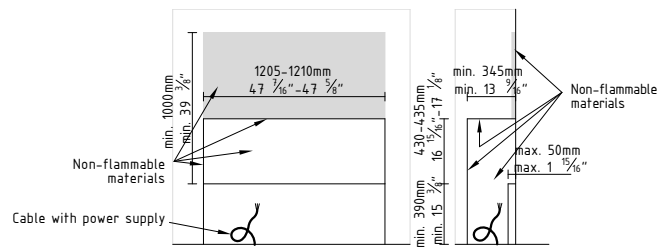
GLASS SHIELD: tempered glass

automatic inserts

FLA3 XL in casing A

FLA3 XL IN CASING A

INSTALLATION:



INDOOR INSTALLATION REQUIREMENTS:



automatic inserts

FLA 3 in casing C

FLA3 XL in casing C

Flames lighting up your interior for longer
The most comfortable unit among the available ones

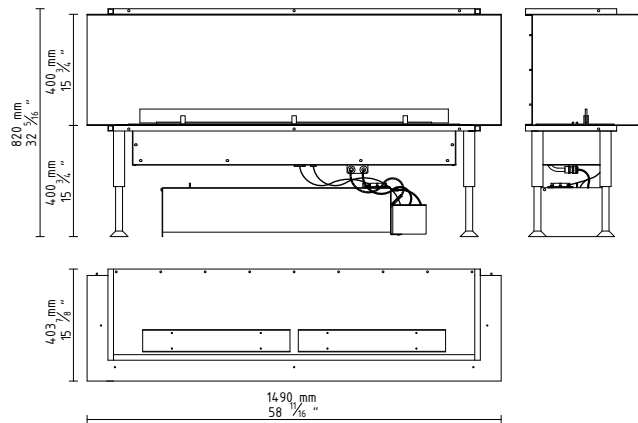


FEATURES:

- BEV* Technology
- Automatic fuel pump
- Extra large fuel tank to extend burning time
- No smell/no ash/no smoke
- WiFi controllable
- Remote controllable
- Smart Home Systems compatible
- Advanced safety sensors
- Fast Start
- Automatic shutdown in case of errors
- Child Lock
- Sleep timer
- Advanced microprocessor
- LCD display
- Control panel
- Intuitive control
- 6 levels of flame height
- Easy installation
- Possibility of joining modules
- No additional installation
- No additional ventilation required
- No chimney required
- External wireless temperature sensor
- Electrical connection required
- For indoor use
- Eco-friendly
- Certified



DIMENSIONS:



* BEV Technology – A patented process resulting in the clean burning of bio-ethanol fuel vapours.

TECHNICAL DATA:

Capacity: 25 L / [US] 6,6 gal / [UK] 5,5 gal

Burning time: 17 - 42 h

Heat output: 3,3 - 8,4 kW / 11398 - 28490 BTU

Net weight: 80,5 kg / 177,5 lbs

Air circulation: min. 1/h

Minimum room size:

please contact our Project Department for details

Power supply: 230 V / 115 V

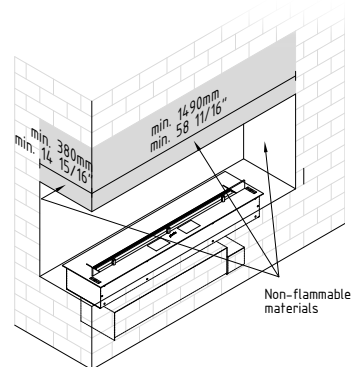
Finish:

TOP: brushed stainless steel / optional: RAL colours / optional: black powder coated steel,

CASING: galvanized steel, black powder coated steel,

GLASS SHIELD: tempered glass

INSTALLATION:



automatic inserts

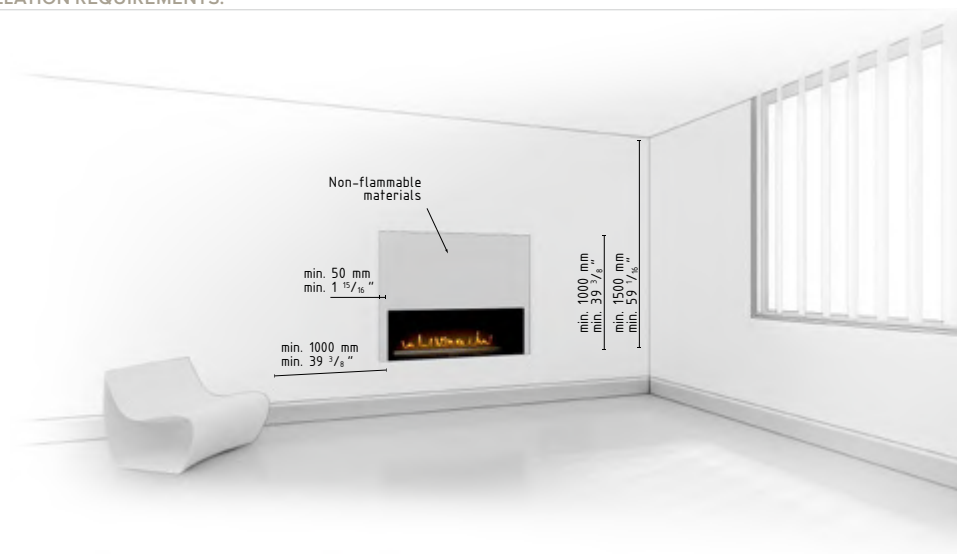
FLA 3 in casing C

FLA3 XL IN CASING C

BESPOKE MODELS:

Planika ensures top service. To live up to our clients' requirements, we have provided the possibility to produce bespoke models, according to the client's expectations. Length of the bio fireplace is customizable.

INDOOR INSTALLATION REQUIREMENTS:



automatic inserts

FLA 3 XL Suite Logs

FLA 3 XL Suite Logs

The only traditional-look bio fireplace with eco logs
Enjoy the beauty of uniquely decorated flames closed behind glass

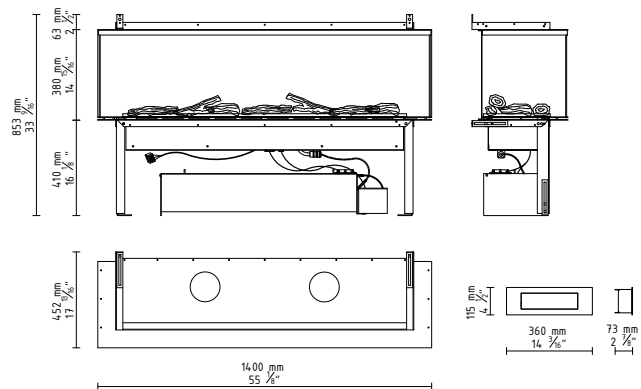


FEATURES:

- BEV* Technology
- Fireplace with integrated ceramic logs, vermiculite and embers
- Extra large fuel tank for extend burning time on one refill
- Traditional-look fireplace without smell, smoke and ash
- External control panel with LCD display
- 6 levels of flame height
- Remote control
- Mobile device control via Wi-Fi
- Smart Home Systems compatible
- Automatic refill system
- Automatic cooling system
- Built-in ventilation system
- Wireless temperature sensor
- No chimney required
- Hot air distribution/ extraction system required
- Electric connection required
- Full ceramic glass enclosure
- One, two or three side fire view
- Possibility of placing heat sensitive items above the fireplace
- Advanced microprocessor
- Advanced safety sensors
- Automatic shutdown in case of errors
- Child Lock
- Sleep timer
- Fast Start
- Eco-friendly
- Certified components



DIMENSIONS:

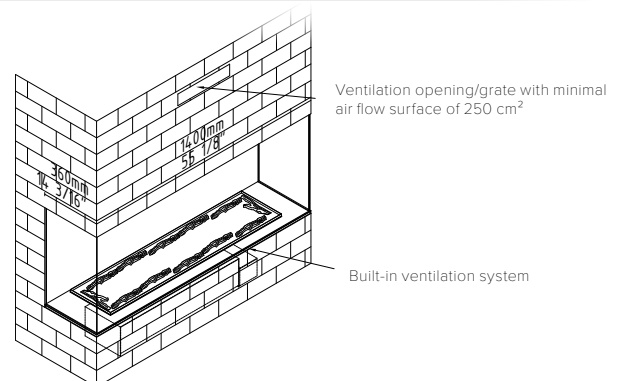


* BEV Technology – A patented process resulting in the clean burning of bio-ethanol fuel vapours.

TECHNICAL DATA:

Capacity: 25 L / [US] 6,6 gal / [UK] 5,5 gal
Burning time: 15 - 25 h
Heat output: 5,6 - 9,5 kW / 19113 - 32424 BTU
Net weight: 89 kg / 196 lbs
Air circulation: min. 1/h
Minimum room size:
 please contact our Project Department for details
Power supply: 230 V / 115 V
Finish:
 TOP: black powder coated steel
 CASING: galvanized steel, black powder coated steel
 GLASS SHIELD: ceramic glass

INSTALLATION:



* The image shows the product with three-side fire view. Other options include two-side view (right/left side and front) and front view.

automaticinserts

FLA 3 XL Suite Logs

FLA 3 XL SUITE LOGS

BESPOKE MODELS:

[download product instruction](#)

INDOOR INSTALLATION REQUIREMENTS:



Fire Line Automatic 2 model E automatic inserts

FLA2 model E

*Exceptional fire decoration
Ignite your imagination*

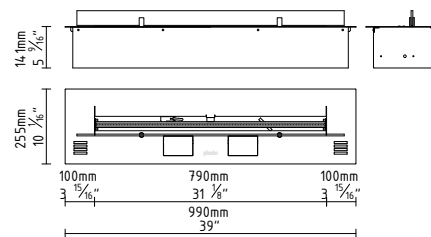
FEATURES:

- BEV* Technology
- No smell / no ash / no smoke
- Optional remote control
- Advanced safety sensors
- Automatic shutdown in case of errors
- Child Lock
- Advanced microprocessor
- Diode display
- Control panel
- Intuitive control
- 2 levels of flame height
- Easy installation
- Possibility of joining modules
- Custom finish option
- No additional installation
- No additional ventilation required
- No chimney required
- Electrical connection required
- For indoor use
- Eco-friendly
- Automatic fuel pump
- Certified
- Fast Start

* BEV Technology – A patented process resulting in the clean burning of bio-ethanol fuel vapours.



DIMENSIONS:



TECHNICAL DATA:

Capacity: 3.5 L / [US] 0.91 gal / [UK] 0.77 gal

Burning time: 3 - 6 h

Heat output: 3,3 - 6,4 kW / 11396 - 21842 BTU

Net weight: 18 kg / 40 lbs

Air circulation: min. 1/h

Minimum room size:

please contact our Project Department for details

Power supply: 230 V / 115 V

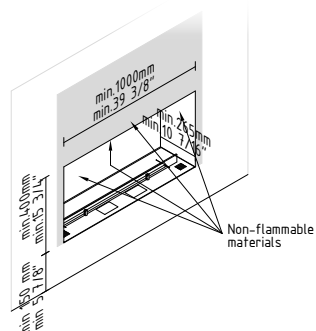
Finish:

TOP: black powder coated steel / optional: brushed stainless steel,

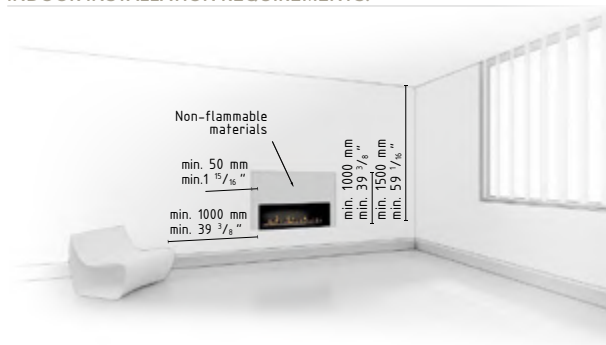
CASING: galvanized steel,

GLASS SHIELD: tempered glass

INSTALLATION:



INDOOR INSTALLATION REQUIREMENTS:



Fire Line Automatic 2 model E

automatic inserts

FLA2 model E in casing E

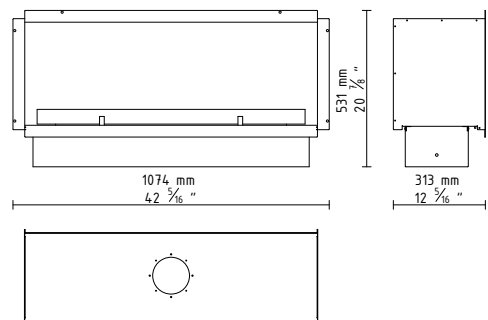
Functionality dressed in fire design
Innovative eco-friendly technology

FEATURES:

- BEV* Technology
- No smell / no ash / no smoke
- Optional remote controllable
- Advanced safety sensors
- Automatic shutdown in case of errors
- Child Lock
- Advanced microprocessor
- Diode display
- Control panel
- Intuitive control
- 2 levels of flame height
- Easy installation
- Custom finish option
- No additional installation
- No additional ventilation required
- No chimney required
- Electrical connection required
- For indoor use
- Eco-friendly
- Automatic fuel pump
- Certified
- Fast Start



DIMENSIONS:



* BEV Technology – A patented process resulting in the clean burning of bio-ethanol fuel vapours.

TECHNICAL DATA:

Capacity: 3,5 L / [US] 0,91 gal / [UK] 0,77 gal

Burning time: 3 - 6 h

Heat output: 3,3 - 6,4 kW / 11396 - 21842 BTU

Net weight: 28 kg / 62 lbs

Air circulation: min. 1/h

Minimum room size:

please contact our Project Department for details

Power supply: 230 V / 115 V

Finish:

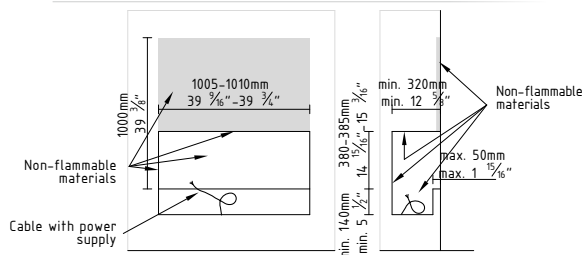
TOP: black powder coated steel / optional: brushed stainless steel,

CASING: black powder coated steel, brushed stainless steel, galvanized steel,

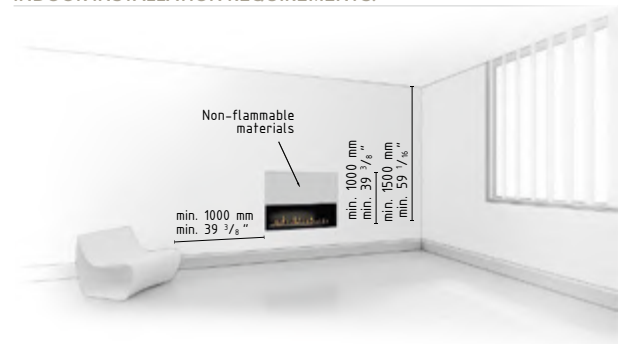
OPTIONAL FRAME: brushed stainless steel,

GLASS SHIELD: tempered glass

INSTALLATION:



INDOOR INSTALLATION REQUIREMENTS:



Fire Line Automatic 2 model E

automatic inserts

FLA2 model E standard 1290 mm

Functionality dressed in fire design
Ignite your imagination

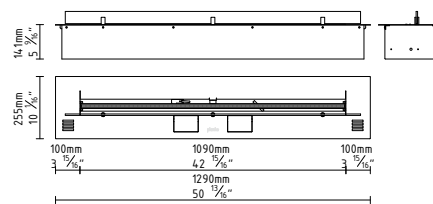
FEATURES:

- BEV* Technology
- No smell / no ash / no smoke
- Optional remote control
- Advanced safety sensors
- Automatic shutdown in case of errors
- Child Lock
- Advanced microprocessor
- Diode display
- Control panel
- Intuitive control
- 2 levels of flame height
- Easy installation
- Possibility of joining modules
- Custom finish option
- No additional installation
- No additional ventilation required
- No chimney required
- Electrical connection required
- For indoor use
- Eco-friendly
- Automatic fuel pump
- Certified
- Fast Start

* BEV Technology – A patented process resulting in the clean burning of bio-ethanol fuel vapours.



DIMENSIONS:



TECHNICAL DATA:

Technical data:

Capacity: 5L / [US]1,35 gal / [UK]1,13 gal

Burning time: 2,5 - 5 h

Heat output: 5,9 – 10,6 kW / 20068 - 36314 BTU

Net weight: 25 kg / 55 lbs

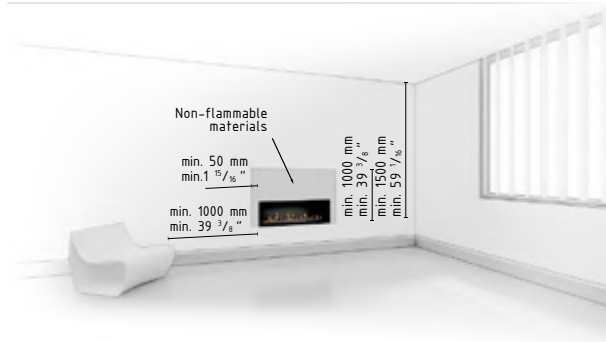
Air circulation: min. 1/h

Minimum room size:

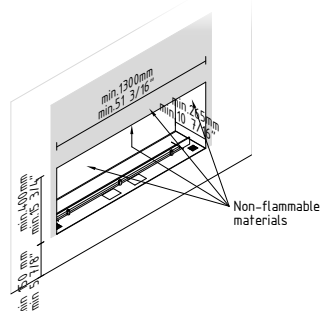
please contact our Project Department for details

Power supply: 230 V / 115 V

INDOOR INSTALLATION REQUIREMENTS:



INSTALLATION:



Fire Line Automatic 2 model E

automatic inserts

FLA2 model E in casing E standard 1290 mm

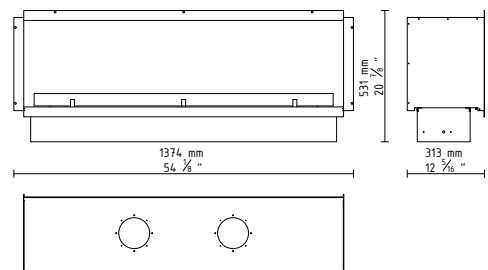
Functionality dressed in fire design
Innovative eco-friendly technology

FEATURES:

- BEV* Technology
- No smell / no ash / no smoke
- Optional remote controllable
- Advanced safety sensors
- Automatic shutdown in case of errors
- Child Lock
- Advanced microprocessor
- Diode display
- Control panel
- Intuitive control
- 2 levels of flame height
- Easy installation
- Custom finish option
- No additional installation
- No additional ventilation required
- No chimney required
- Electrical connection required
- For indoor use
- Eco-friendly
- Automatic fuel pump
- Certified
- Fast Start



DIMENSIONS:

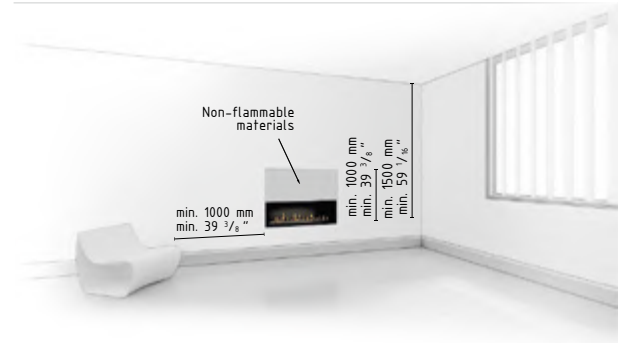


* BEV Technology – A patented process resulting in the clean burning of bio-ethanol fuel vapours.

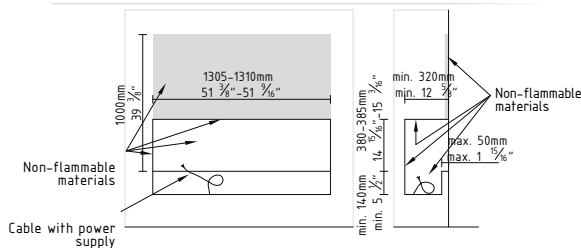
TECHNICAL DATA:

Capacity: 5L / [US] 1,35 gal / [UK] 1,13 gal
Burning time: 2,5 - 5 h
Heat output: 5,9 – 10,6 kW / 20068 - 36314 BTU
Net weight: 37 kg / 82 lbs
Air circulation: min. 1/h
Minimum room size:
 please contact our Project Department for details
Power supply: 230 V / 115 V
Finish:
 TOP: black powder coated steel / optional: brushed stainless steel,
 CASING: black powder coated steel, brushed stainless steel, galvanized steel,
 OPTIONAL FRAME: brushed stainless steel,
 GLASS SHIELD: tempered glass

INDOOR INSTALLATION REQUIREMENTS:

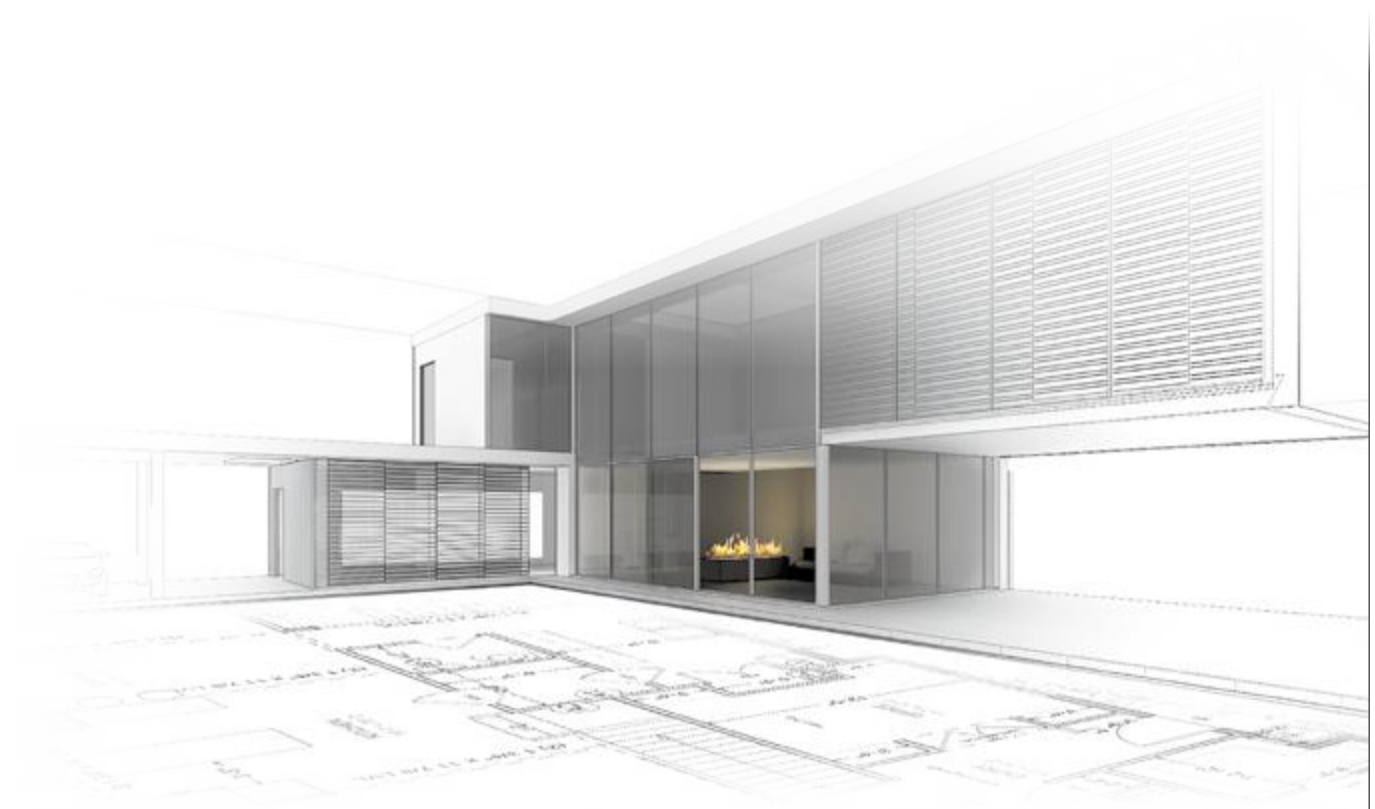


INSTALLATION:



PushButtonFireplaces

intelligent fire



PrimeFire PushButtonFireplaces

PrimeFire

*Fire technology with an easy assembly
Real fire at the push of a button*

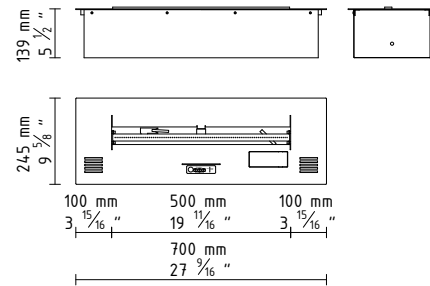


FEATURES:

- BEV* Technology
- No smell / no ash / no smoke
- Optional remote control
- Advanced safety sensors
- Automatic shutdown in case of errors
- Child Lock
- Advanced microprocessor
- Diode display
- Control panel
- Intuitive control
- 2 levels of flame height
- Easy installation
- Possibility of joining modules
- No additional installation
- No additional ventilation required
- No chimney required
- Electrical connection required
- For indoor use
- Eco-friendly
- Automatic fuel pump
- Fast Start



DIMENSIONS:

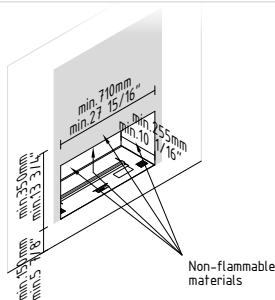


* BEV Technology – A patented process resulting in the clean burning of bio-ethanol fuel vapours.

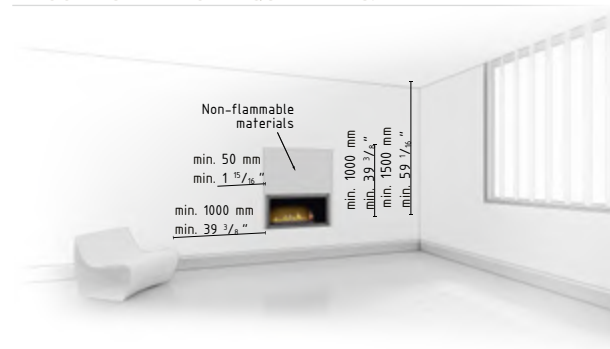
TECHNICAL DATA:

Capacity: 2,75 L / [US] 0,7 gal / [UK] 0,6 gal
Burning time: ~5 h
Heat output: 4,0 kW / 13648 BTU
Net weight: 13 kg / 29 lbs
Air circulation: min. 1/h
Minimum room size:
 please contact our Project Department for details
Power supply: 230 V / 115 V
Finish:
 TOP: black powder coated steel,
 CASING: galvanized steel

INSTALLATION:



INDOOR INSTALLATION REQUIREMENTS:



PrimeFire in casing

PrimeFire

PrimeFire in casing

*Enjoy natural flames without smoke, smell or ash
Ignite the fire with a single button*

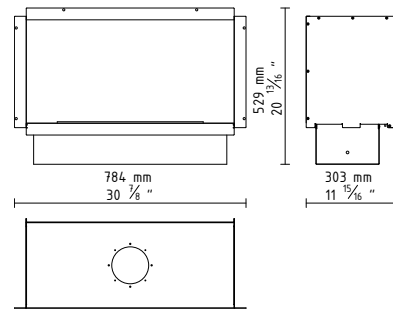


FEATURES:

- BEV* Technology
- No smell / no ash / no smoke
- Optional remote control
- Advanced safety sensors
- Automatic shutdown in case of errors
- Child Lock
- Advanced microprocessor
- Diode display
- Control panel
- Intuitive control
- 2 levels of flame height
- Easy installation
- No additional installation
- No additional ventilation required
- No chimney required
- Electrical connection required
- For indoor use
- Optional decorative accessories
- Eco-friendly
- Automatic fuel pump
- Fast Start



DIMENSIONS:



* BEV Technology – A patented process resulting in the clean burning of bio-ethanol fuel vapours.

TECHNICAL DATA:

Capacity: 2,75 L / [US] 0,7 gal / [UK] 0,6 gal

Burning time: ~5 h

Heat output: 4,0 kW / 13648 BTU

Net weight: 17 kg / 37 lbs

Air circulation: min. 1/h

Minimum room size:

please contact our Project Department for details

Power supply: 230 V / 115 V

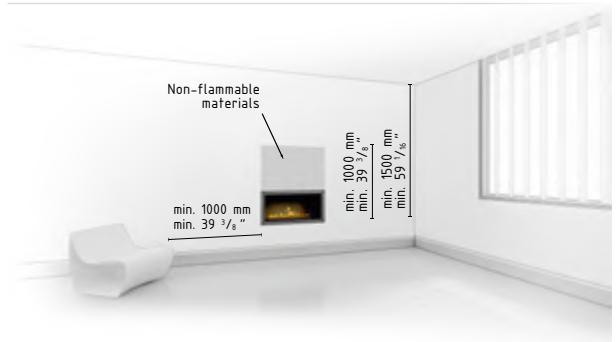
Finish:

TOP: black powder coated steel,

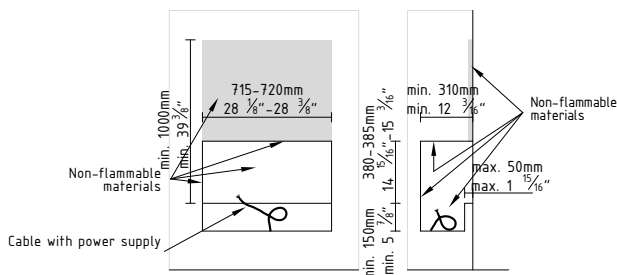
CASING: black powder coated steel, galvanized steel,

OPTIONAL FRAME: black powder coated steel

INDOOR INSTALLATION REQUIREMENTS:



INSTALLATION:



PrimeFire Logs

PushButtonFireplaces

PrimeFire Logs

Automatic features for comfort and safety
Decorative accessories for most natural flames

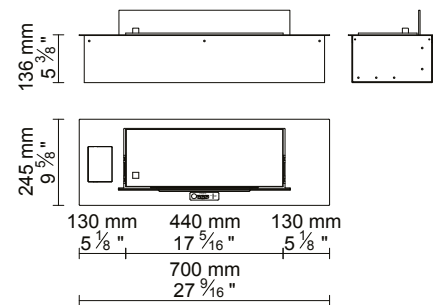


FEATURES:

- Natural flames with decorative logs and vermiculite
- BEV* Technology
- No smell / no ash / no smoke
- Optional remote control
- Advanced safety sensors
- Automatic shutdown in case of errors
- Child Lock
- Advanced microprocessor
- Diode display
- Intuitive control
- 2 levels of flame height
- Easy installation
- No additional installation
- No additional ventilation required
- No chimney required
- For indoor use
- Eco-friendly
- Advanced microprocessor
- Automatic refueling system



DIMENSIONS:

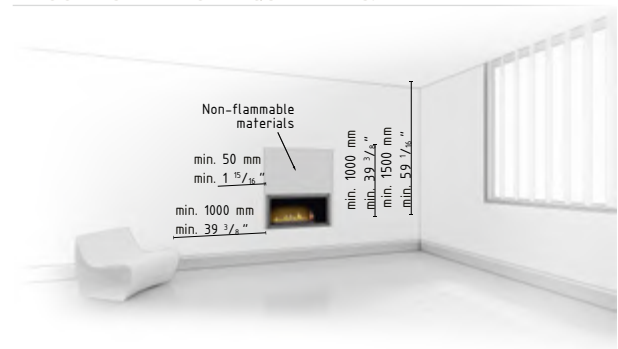


* BEV Technology – A patented process resulting in the clean burning of bio-ethanol fuel vapours.

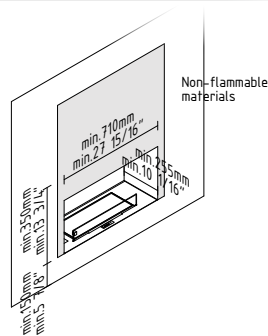
TECHNICAL DATA:

Capacity: 2,5 L / [US] 0,65 gal / [UK] 0,55 gal
Burning time: 4,5-7h
Heat output: 2-3,1 kw / 6690 - 10512 BTU/h
Net weight: 15 kg / 33 lbs
Air circulation: min. 1/h
Minimum room size:
 please contact our Project Department for details
Power supply: 230 V / 115 V
Finish:
 TOP: black powder coated steel

INDOOR INSTALLATION REQUIREMENTS:



INSTALLATION:



PrimeFire Logs

PushButton Fireplaces

PrimeFire Logs in casing

An automatic bio fireplace decorated with eco logs
Innovative technology that makes fire exceptional

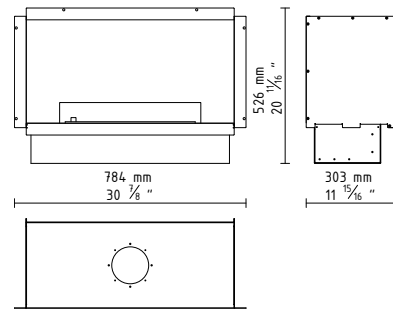


FEATURES:

- Natural flames with decorative logs and vermiculite
- BEV* Technology
- No smell / no ash / no smoke
- Optional remote control
- Advanced safety sensors
- Automatic shutdown in case of errors
- Child Lock
- Advanced microprocessor
- Diode display
- Intuitive control
- 2 levels of flame height
- Easy installation
- No additional installation
- No additional ventilation required
- No chimney required
- For indoor use
- Eco-friendly
- Advanced microprocessor
- Automatic refueling system



DIMENSIONS:

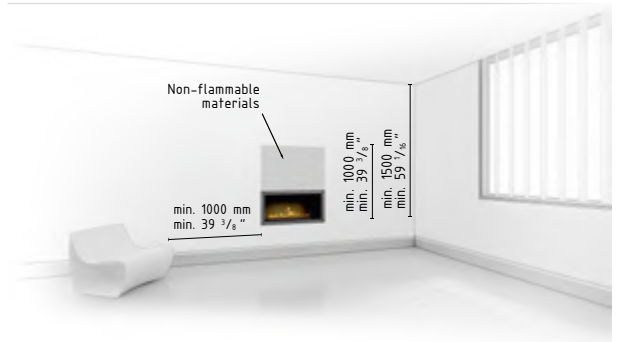


* BEV Technology – A patented process resulting in the clean burning of bio-ethanol fuel vapours.

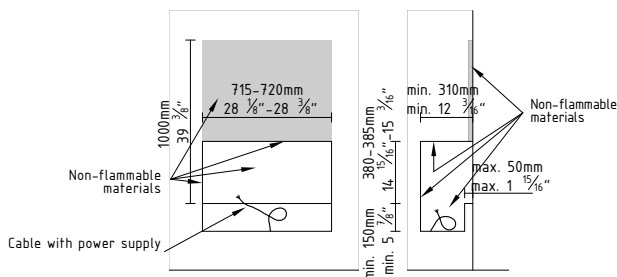
TECHNICAL DATA:

Capacity: 2,5 L / [US] 0,65 gal / [UK] 0,55 gal
Burning time: 4,5-7h
Heat output: 2-3,1 kw / 6690 - 10512 BTU/h
Net weight: 48 kg / 106 lbs
Air circulation: min. 1/h
Minimum room size:
 please contact our Project Department for details
Power supply: 230 V / 115 V
Finish:
 TOP: black powder coated steel,
 CASING: black powder coated steel

INDOOR INSTALLATION REQUIREMENTS:



INSTALLATION:



PrimeBox PushButtonFireplaces

PrimeBox

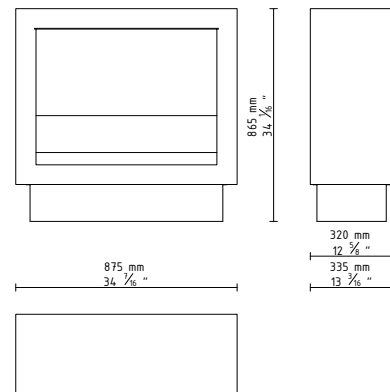
*Floor standing fireplace for the easiest arrangement
Enjoy real fire in minutes*

FEATURES:

- BEV* Technology
- Floor standing
- No smell / no ash / no smoke
- Remote controllable
- Advanced safety sensors
- Automatic shutdown in case of errors
- Child Lock
- Advanced microprocessor
- Diode display
- Control panel
- Intuitive control
- 2 levels of flame height
- Easy installation
- No additional installation
- No additional ventilation required
- No chimney required
- Electrical connection required
- For indoor use
- Eco-friendly
- Automatic fuel pump



DIMENSIONS:

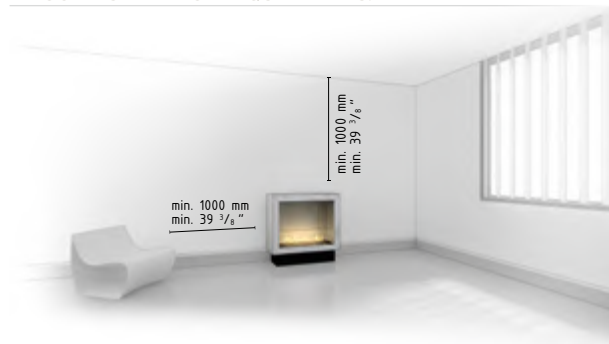


* BEV Technology – A patented process resulting in the clean burning of bio-ethanol fuel vapours.

TECHNICAL DATA:

Capacity: 2,75 L / [US] 0,7 gal / [UK] 0,6 gal
Burning time: ~5 h
Heat output: 4,0 kW / 13648 BTU
Net weight: 37,25 kg / 82 lbs
Air circulation: min. 1/h
Minimum room size:
 please contact our Project Department for details
Power supply: 230 V / 115 V
Finish:
 TOP: black powder coated steel,
 CASING: lacquered MDF colour: white silk matt, black powder coated steel, brushed stainless steel,
 GLASS SHIELD: tempered glass

INDOOR INSTALLATION REQUIREMENTS:



Lincoln PushButton Fireplaces

Lincoln

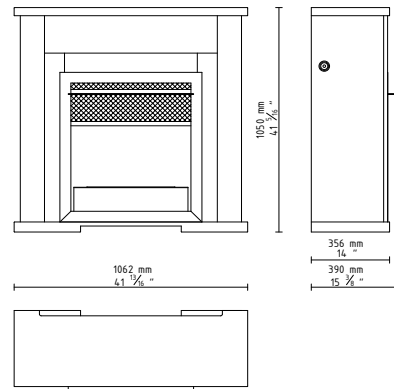
*The First bioethanol Fireplace for every apartment
Modern solution in a traditional form*

FEATURES:

- BEV* Technology
- Floor standing
- No smell / no ash / no smoke
- Remote controllabile
- Advanced safety sensors
- Automatic shutdown in case of errors
- Child lock
- Advanced microprocessor
- Diode display
- Control panel
- Intuitive control
- 2 levels of flame height
- Bigger external fuel tank
- Easy installation
- No additional installation
- No additional ventilation required
- No flue system required
- Plug & play fireplace
- Ceramic glass
- Decorative ceramic logs and pebbles
- Integrated automatic fuel pump
- For indoor use
- Eco-friendly



DIMENSIONS:



* BEV Technology – A patented process resulting in the clean burning of bio-ethanol fuel vapours.

TECHNICAL DATA:

Capacity: 10 L / [US] 2,64 gal / [UK] 2,2 gal
Burning time: 17 - 22 h
Heat output: 2,5-3,1 kw / 8600 - 10512 BTU/h
Net weight: 75 kg / 165 lbs
Air circulation: min. 1/h
Minimum room size:
 please contact our Project Department for details
Power supply: 230 V / 115 V
Finish:
 Fireplace building finish: MDF lacquered polyurethane RAL 9003,
 Steel elements finish: stenothersm lacquer-UHT 600 mat similar to RAL 7015

INDOOR INSTALLATION REQUIREMENTS:



HotBox PushButton Fireplaces

HotBox

HotBox

To insert into existing fireplace
Relight and upgrade your living space

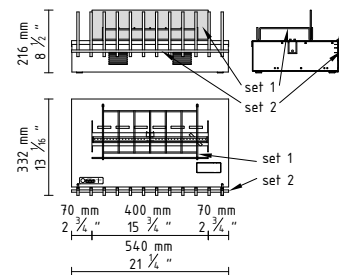


FEATURES:

- BEV* Technology
- Portable unit
- No smell / no ash / no smoke
- Optional remote control
- Advanced safety sensors
- Automatic shutdown in case of errors
- Child Lock
- Advanced microprocessor
- Diode display
- Control panel
- Intuitive control
- 2 levels of flame height
- Easy installation
- Possibility of joining modules
- No additional installation
- No additional ventilation required
- No chimney required
- Electrical connection required
- For indoor use
- Optional decorative accessories
- Eco-friendly
- Fast Start

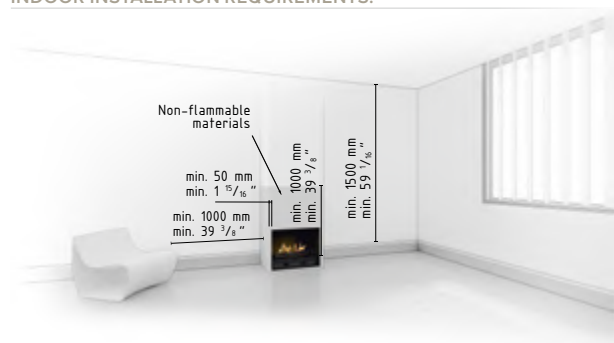


DIMENSIONS:



* BEV Technology – A patented process resulting in the clean burning of bio-ethanol fuel vapours.

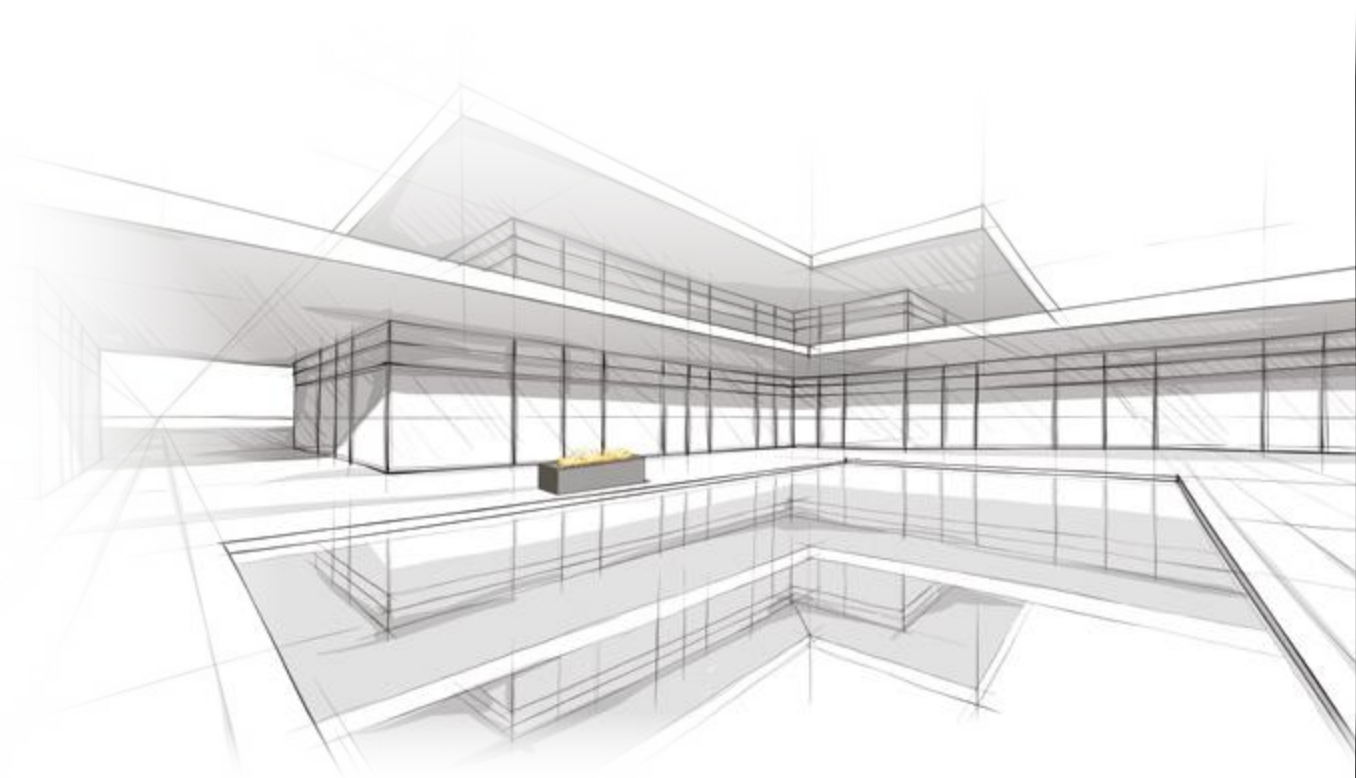
INDOOR INSTALLATION REQUIREMENTS:



TECHNICAL DATA:

Capacity: 2,5 L / [US] 0,65 gal / [UK] 0,55 gal
Burning time: 2,5 - 5 h
Heat output: 3,3 - 5,6 kW / 11396 - 18993 BTU
Net weight: 13 kg / 29 lbs
Air circulation: min. 1/h
Minimum room size:
 please contact our Project Department for details
Power supply: 230 V / 115 V
Finish:
 TOP: black powder coated steel,
 CASING: galvanized steel,
 OPTIONAL SET 1:
 DECORATIVE GRATE: black powder coated steel,
 OPTIONAL SET 2:
 GLASS SHIELD: tempered glass,
 GRILL: stainless steel,
 3 x BILLETS: ceramic

outdoor



Totem Commerce outdoor

Totem Commerce

*Makes the warmth of summer last longer
Bring the cosiness outdoors*

FEATURES:

- Commerce* Technology
- Portable unit
- No smell / no ash / no smoke
- For outdoor / indoor use
- Glass cylinder to safely enclose the flames
- Eco-friendly

* Commerce Technology – Advanced technology which prevents fuel leakage due to absorbent ceramic fibres.

TECHNICAL DATA:

Capacity: 3 L / [US] 0,79 gal / [UK] 0,66 gal

Burning time: 6 - 8* h

Heat output: 2,5 kW / 8547 BTU

Net weight: 25 kg / 55 lbs

Finish:

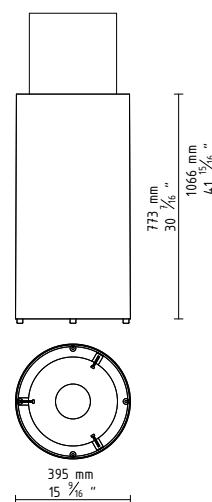
CASING: black polystone, glass tube,

BURNER: stainless steel

* Burning time depends on the amount of fuel poured in



DIMENSIONS:



Jar Commerce

Fire set on a concrete base

The easy way to decorate an outdoor area

FEATURES:

- Commerce* Technology
- Portable unit
- No smell / no ash / no smoke
- For outdoor / indoor use
- Glass cylinder to safely enclose the flames
- Eco-friendly

* Commerce Technology – Advanced technology which prevents fuel leakage due to absorbent ceramic fibres.

TECHNICAL DATA:

Capacity: 3 L / [US] 0,79 gal / [UK] 0,66 gal

Burning time: 6 - 8* h

Heat output: 2,5 kW / 8547 BTU

Net weight: 41 kg / 90 lbs

Finish:

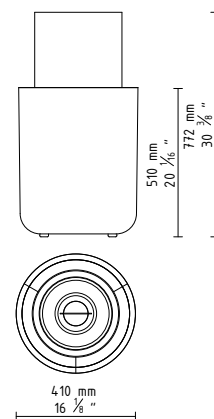
CASING: concrete, glass tube,

BURNER: stainless steel

* Burning time depends on the amount of fuel poured in



DIMENSIONS:



Gustav Commerce outdoor

Gustav Commerce

Real flame with a rusty finish

A corten fireplace ideal for hotels and restaurants

FEATURES:

- Commerce* Technology
- Portable unit
- No smell / no ash / no smoke
- For outdoor / indoor use
- Glass cylinder and lampshade to safely enclose the flames
- Eco-friendly

* Commerce Technology – Advanced technology which prevents fuel leakage due to absorbent ceramic fibres.

TECHNICAL DATA:

Capacity: 3 L / [US] 0,79 gal / [UK] 0,66 gal

Burning time: 6 - 8* h

Heat output: 2,5 kW / 8547 BTU

Net weight: 16 kg / 35 lbs

Finish:

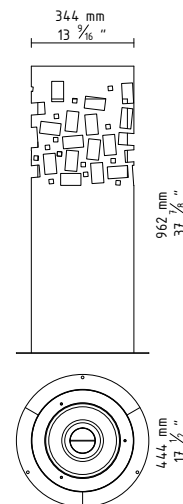
CASING: corten steel, glass tube,

BURNER: stainless steel

* Burning time depends on the amount of fuel poured in



DIMENSIONS:



Faro Commerce outdoor

Faro Commerce

The beauty of real flames with a steel lampshade
A light and portable fireplace

FEATURES:

- Commerce* Technology
- Portable unit
- No smell / no ash / no smoke
- For outdoor / indoor use
- Glass cylinder and lampshade to safely enclose the flames
- Eco-friendly

* Commerce Technology – Advanced technology which prevents fuel leakage due to absorbent ceramic fibres.



TECHNICAL DATA:

Capacity: 3 L / [US] 0,79 gal / [UK] 0,66 gal

Burning time: 6 - 8* h

Heat output: 2,5 kW / 8547 BTU

Net weight: 12 kg / 26 lbs

Finish:

CASING: black polyethylene / white polyethylene

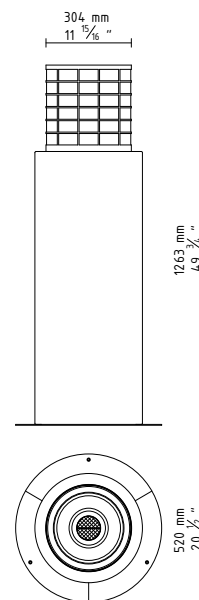
BURNER: stainless steel

LAMP SHADE: stainless steel, glass tube

* Burning time depends on the amount of fuel poured in



DIMENSIONS:



Tondo Commerce

*An eye catching fire-pit to warm up your evenings
Creates a truly relaxing atmosphere*

FEATURES:

- Commerce* Technology
- Portable unit
- No smell / no ash / no smoke
- For outdoor / indoor use
- Optional decorative stones
- Glass cylinder to safely enclose the flames
- Eco-friendly

* Commerce Technology – Advanced technology which prevents fuel leakage due to absorbent ceramic fibres.

TECHNICAL DATA:

Capacity: 3 L / [US] 0,79 gal / [UK] 0,66 gal

Burning time: 6 - 8* h

Heat output: 2,5 kW / 8547 BTU

Net weight: 14 kg / 31 lbs

Finish:

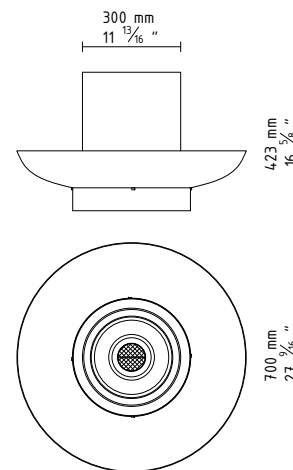
CASING: corten steel, glass tube

BURNER: stainless steel

* Burning time depends on the amount of fuel poured in



DIMENSIONS:



Simple Commerce outdoor

Simple Commerce

*Compact in size and fully portable
A perfect piece of cosy home décor*



FEATURES:

- Commerce* Technology
- Portable unit
- No smell / no ash / no smoke
- For outdoor / indoor use
- Glass cylinder to safely enclose the flames
- Eco-friendly

* Commerce Technology – Advanced technology which prevents fuel leakage due to absorbent ceramic fibres.

TECHNICAL DATA:

Capacity: 1,5 L / [US] 0,39 gal / [UK] 0,33 gal

Burning time: 3 - 4* h

Heat output: 2,5 kW / 8547 BTU

Net weight: 7 kg / 15 lbs

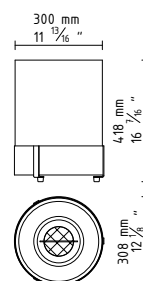
Finish:

CASING: stainless steel, glass tube,

BURNER: stainless steel



DIMENSIONS:



* Burning time depends on the amount of fuel poured in

Rondo Commerce outdoor

Rondo Commerce

*An all-round user-friendly fireplace
Feel the pleasure of the moment*

FEATURES:

- Commerce* Technology
- No smell / no ash / no smoke
- No chimney required
- For indoor / outdoor use
- Glass cylinder to safely enclose the flames
- Eco-friendly

* Commerce Technology – Advanced technology which prevents fuel leakage due to absorbent ceramic fibres.

TECHNICAL DATA:

Capacity: 3 L / [US] 0,79 gal / [UK] 0,66 gal

Burning time: 6 - 8* h

Heat output: 2,5 kW / 8547 BTU

Net weight: 7 kg / 15,5 lbs

Finish:

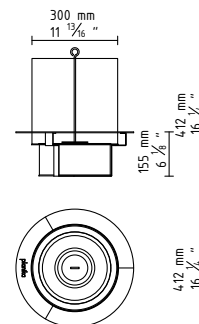
CASING: brushed stainless steel, glass tube

BURNER: stainless steel

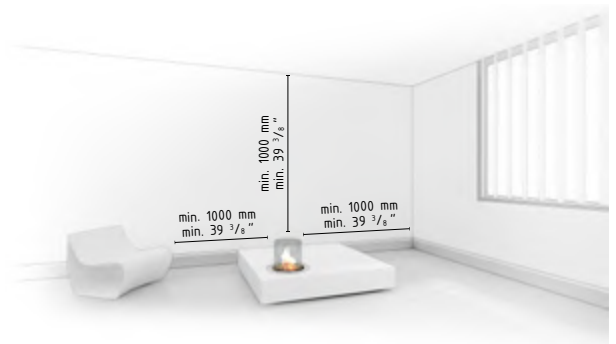
* Burning time depends on the amount of fuel poured in



DIMENSIONS:



OUTDOOR INSTALLATION REQUIREMENTS:



Petit Commerce outdoor

Petit Commerce

Small is beautiful

The smallest fireplace from Planika



FEATURES:

- Commerce* Technology
- Portable unit
- No smell / no ash / no smoke
- For outdoor / indoor use
- Glass cylinder and lampshade to safely enclose the flames
- Eco-friendly

* Commerce Technology – Advanced technology which prevents fuel leakage due to absorbent ceramic fibres.

TECHNICAL DATA:

Capacity: 1,5 L / [US] 0,39 gal / [UK] 0,33 gal

Burning time: 3 - 4* h

Heat output: 2,5 kW / 8547 BTU

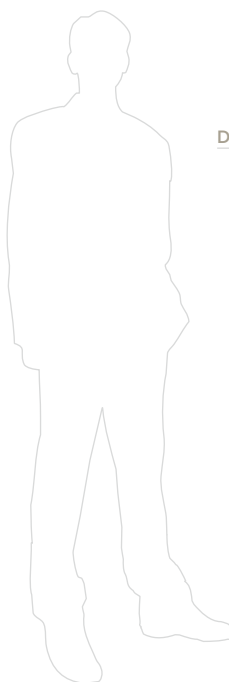
Net weight: 3,2 kg / 7 lbs

Finish:

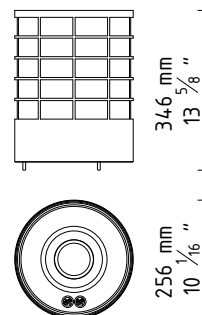
CASING: painted steel (RAL 9010), glass tube,

BURNER: stainless steel

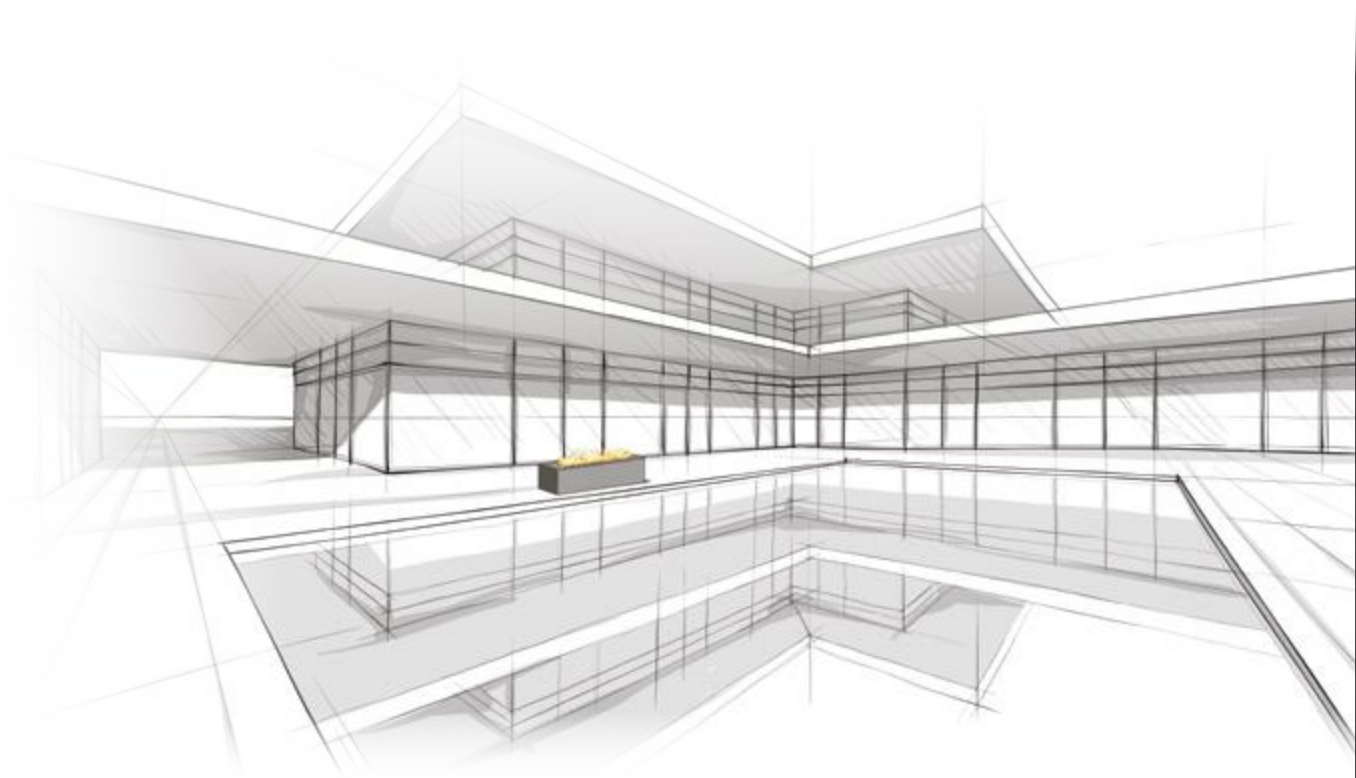
* Burning time depends on the amount of fuel poured in



DIMENSIONS:



outdoor



Galio Corten outdoor

Galio Corten

Linear fire for outdoor use

Corten fireplace for commercial and residential spaces



FEATURES:

- For outdoor use
- Easy installation
- Flame height regulation
- Linear-shape burner
- LPG or natural gas powered
- Safety sensor
- No electrical connection required
- Portable unit
- Intuitive control
- CE certified components



TECHNICAL DATA:

Net weight: 31 kg / 68 lbs

LPG

Heat output: min 6,3 kW (21 623 BTU); max. 11,8 kW (40 219 BTU)

Gas rate: min. 0,5 kg/h (1,1 lbs/h); max. 0,93 kg/h (2,05 lbs/h)

Gas pressure: 37 mbar/11" WC

NG

Heat output: min. 4,7 kW (16 108 BTU); max. 9,4 kW (32 215 BTU)

Gas rate: min. 0,5 m³/h (17,7 ft³/h); max. 1,0 m³/h (35,3 ft³/h)

Gas pressure: 20 mbar/7" WC

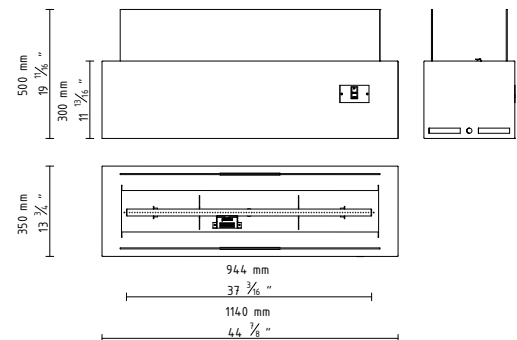
Finish:

CASING: corten steel

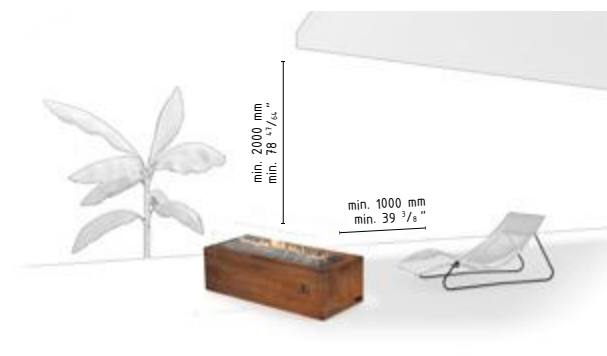
GLASS SHIELD: tempered glass

BURNER: stainless steel

DIMENSIONS:



INSTALLATION REQUIREMENTS:



Galio Insert outdoor

Galio Insert

Gas fireplace insert with a linear form

Creates a cozy and unique atmosphere in outdoor living spaces



FEATURES:

- For outdoor use
- Easy installation
- Flame height regulation
- Linear-shape burner
- LPG or natural gas powered
- Safety sensor
- No electrical connection required
- CE certified components

TECHNICAL DATA:

Net weight: 21 kg / 46 lbs

LPG

Heat output: min. 6,3 kW (21 623 BTU); max. 11,8 kW (40 219 BTU)

Gas rate: min. 0,5 kg/h (1,1 lbs/h); max. 0,93 kg/h (2,05 lbs/h)

Gas pressure: 37 mbar/11" WC

NG

Heat output: min. 4,7 kW (16 108 BTU); max. 9,4 kW (32 215 BTU)

Gas rate: min. 0,5 m³/h (17,7 ft³/h); max. 1,0 m³/h (35,3 ft³/h)

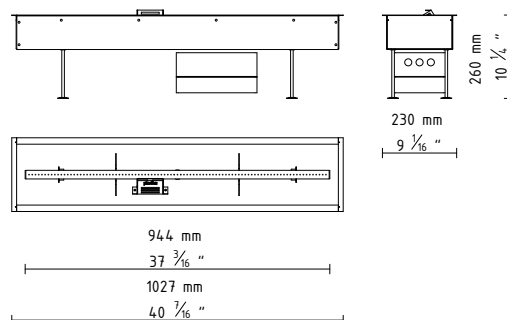
Gas pressure: 20 mbar/7" WC

Finish:

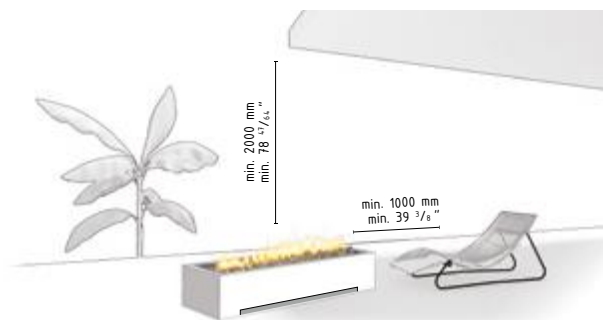
stainless steel



DIMENSIONS:



INSTALLATION REQUIREMENTS:



Galio Fire Pit Corten

outdoor

Galio Fire Pit Corten

*A circular fire pit in modish steel case
The focal point for your outdoor living space*



FEATURES:

- For outdoor use
- Free-standing
- Easy installation
- Flame height regulation
- Fire pit shape burner
- LPG or natural gas powered
- Safety sensor
- No electrical connection required
- CE certified components

TECHNICAL DATA:

Net weight: 65 kg / 143 lbs

LPG

Heat output net: min. 2,5 kW (8 649 BTU); max. 5,1 kW (17 299 BTU)

Gas rate: min. 0,2 kg/h (0,44 lbs/h); max. 0,4 kg/h (0,88 lbs/h)

Gas pressure: 37 mbar/11" WC

NG

Heat output net: min. 2,4 kW (8 054 BTU); max. 4,7 kW (16 108 BTU)

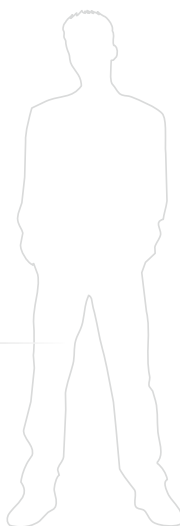
Gas rate: min. 0,25 m³/h (8,8 ft³/h); max. 0,5 m³/h (17,7 ft³/h)

Gas pressure: 20 mbar/7" WC

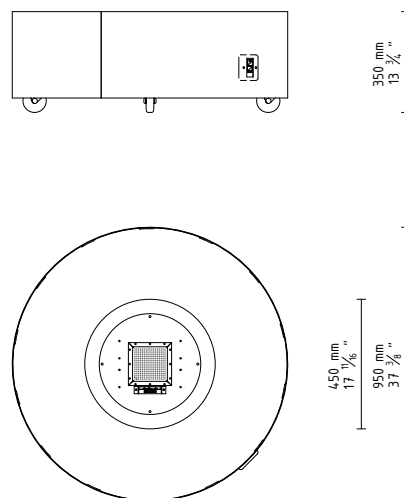
Finish:

CASING: corten steel

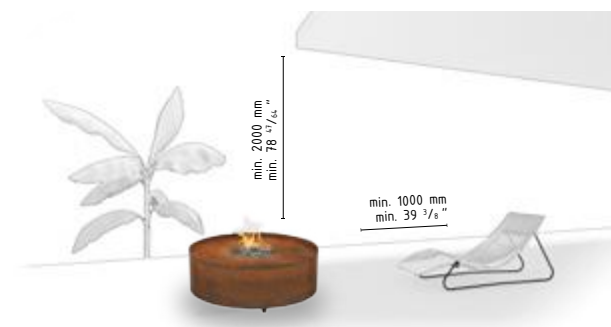
BURNER: stainless steel



DIMENSIONS:



INSTALLATION REQUIREMENTS:



Galio Fire Pit Insert outdoor

Galio Fire Pit Insert

*A circular insert providing unlimited arrangement possibilities
Awaken your outdoor space with natural fire*



FEATURES:

- For outdoor use
- Easy installation
- Flame height regulation
- Fire pit shape burner
- LPG or natural gas powered
- Safety sensor
- No electrical connection required
- CE certified components

TECHNICAL DATA:

Net weight: 15 kg / 33 lbs

LPG

Heat output net: min. 2,5 kW (8 649 BTU); max. 5,1 kW (17 299 BTU)

Gas rate: min. 0,2 kg/h (0,44 lbs/h); max. 0,4 kg/h (0,88 lbs/h)

Gas pressure: 37 mbar/11" WC

NG

Heat output net: min. 2,4 kW (8 054 BTU); max. 4,7 kW (16 108 BTU)

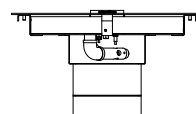
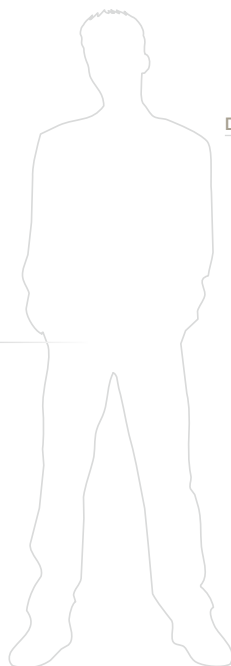
Gas rate: min. 0,25 m³/h (8,8 ft³/h); max. 0,5 m³/h (17,7 ft³/h)

Gas pressure: 20 mbar/7" WC

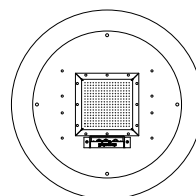
Finish:

stainless steel

DIMENSIONS:

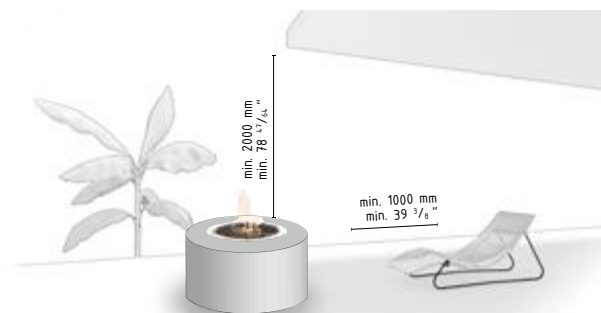


246 mm
9 11/16"



450 mm
19 11/16"

INSTALLATION REQUIREMENTS:



... advanced technology and **real fire**

contents

About us	3
Arrangements of products	5
Why to choose Planika, safety sensors, intelligent fire & ecology	40
COLLECTIONS	
Automatic Inserts	45
Push Button Fireplaces	67
Outdoor	75
GAS Outdoor	85

HEAD OFFICE Planika Sp. z o.o.

ul. Bydgoska 38
86-061 Brzoza, Poland
Tel: +48 52 364 11 60
Fax: +48 52 364 11 70
e-mail: planika@planikafires.com
www.planikafires.com

Planika USA LLC

1 Ackerman Avenue
Clifton, NJ 07011
Tel1: +1 (201) 933 7787
Tel2: +1 (201) 933 7723
F: +1 (201) 933 7741
e-mail: info@planikausa.com
www.planikausa.com